

4

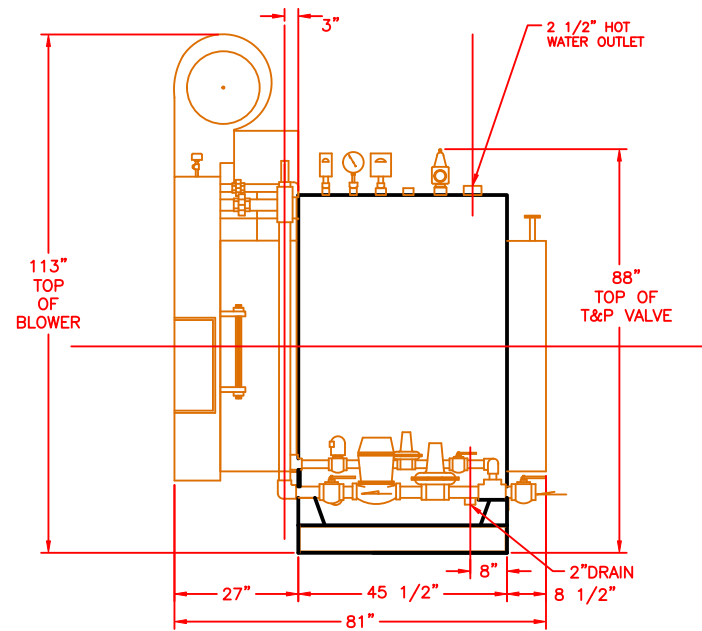
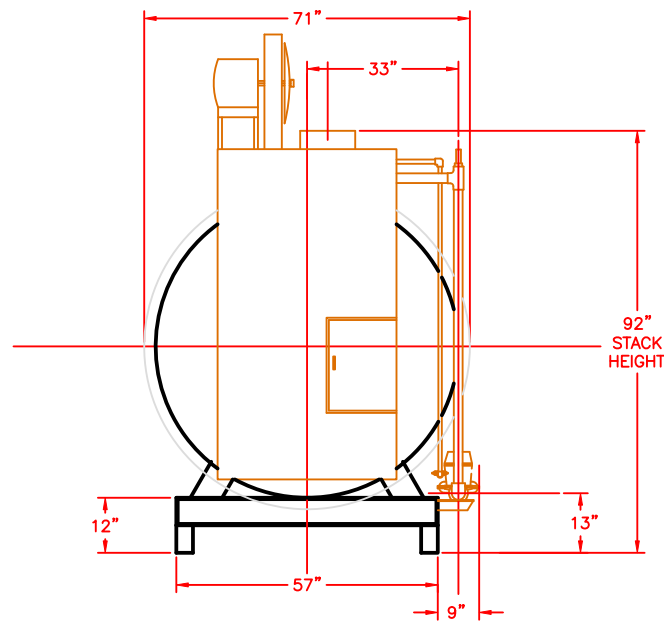
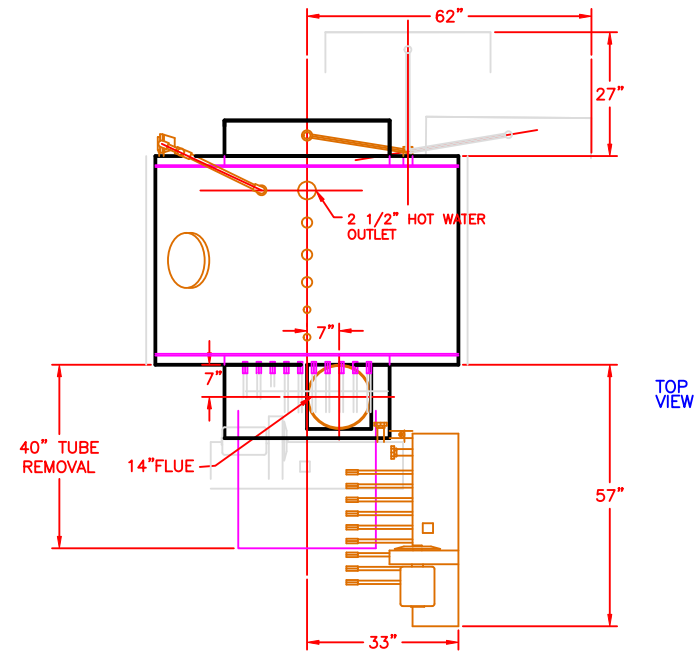
3

2

1

B

B



A

A

4

3

2

1

<p>918 West Walnut Street Danville, KY 40422 Phone: (859) 236-3181 FAX: (859) 236-3184</p> <p>Proprietary Information These drawings and/or specifications are the property of Sellers MFG Co. They are issued in strict confidence and shall not be reproduced, copied, or used as the basis for manufacture or sale without permission of the owner.</p>	<p>TEMPLATE LAYOUT TP-40-560 TWO PASS WATER HEATER</p>			
	<p>REV. DATE DESCRIPTION OF CHANGE DRAWN APPROVED</p>	<p>SCALE: DWG. SIZE: B SHEET: 1 OF 1</p>	<p>DRAWN BY: RMc</p> <p>APPR. BY:</p> <p>DRAWING NUMBER: SK-1543</p>	<p>DATE: 11/26/19</p> <p>REV</p>
<p>WEIGHT: 165</p> <p>MATERIAL:</p> <p>FINISH:</p>	<p>UNLESS OTHERWISE SPECIFIED: DIMENSIONS ARE IN INCHES TOLERANCES: FRACTIONAL ± 1/32 XXX ± .015 XXX ± .005 ANGLES ± 1 DEG DO NOT SCALE DRAWING</p>			