

4

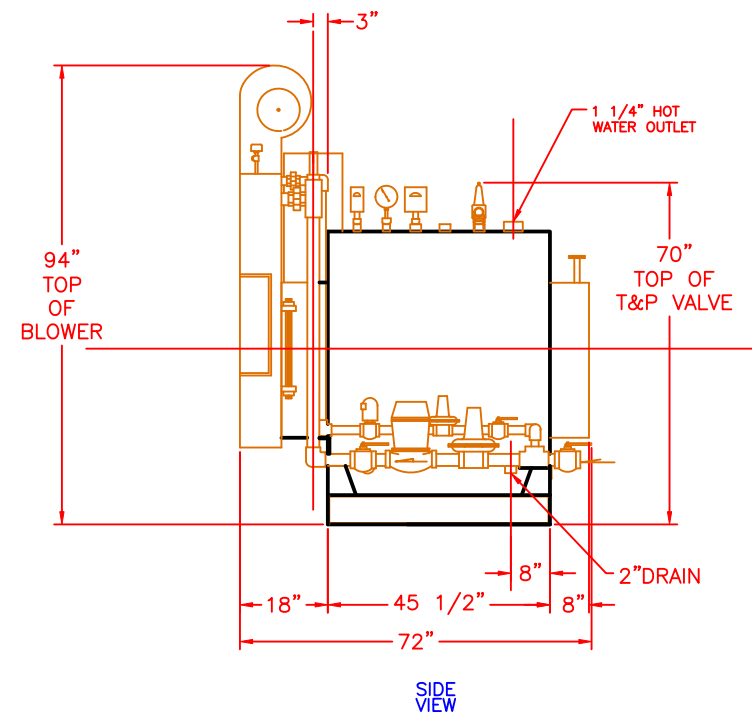
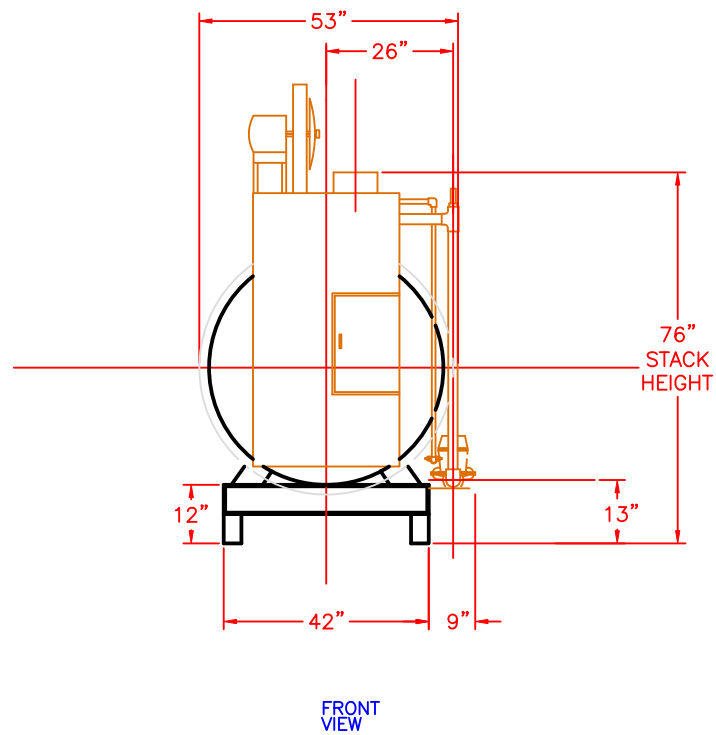
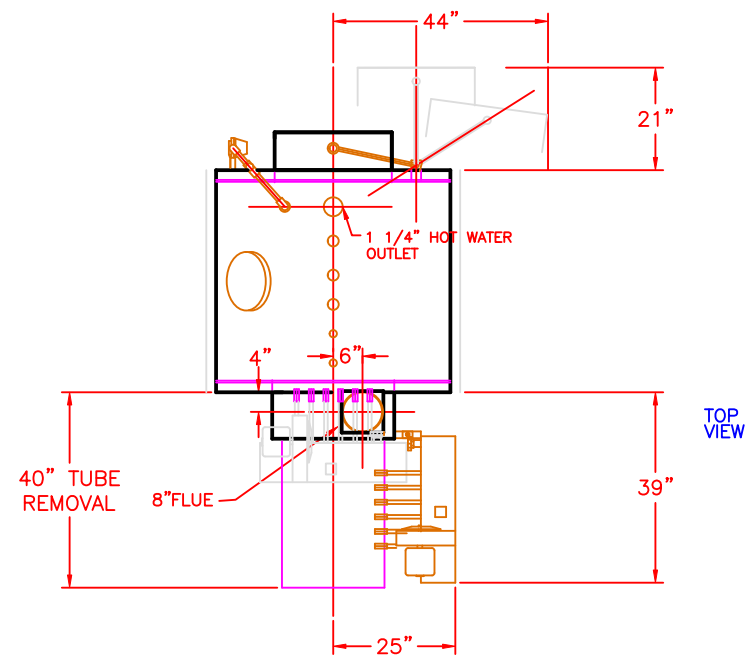
3

2

1

B

B



A

A

4

3

2

1

<p><b>Sellers</b> MANUFACTURING CO.</p> <p>918 West Walnut Street Danville, KY 40422 Phone: (859) 236-3181 FAX: (859) 236-3184</p> <p>Proprietary Information These drawings and/or specifications are the property of Sellers MFG Co. They are issued in strict confidence and shall not be reproduced, copied, or used as the basis for manufacture or sale without permission of the owner.</p>	REV.	DATE	DESCRIPTION OF CHANGE	DRAWN	APPROVED	<p>TEMPLATE LAYOUT TP-12-290 TWO PASS WATER HEATER</p>		
	WEIGHT 165		UNLESS OTHERWISE SPECIFIED: DIMENSIONS ARE IN INCHES TOLERANCES: FRACTIONAL ± 1/32 XXX ± .015 XXX ± .005 ANGLES ± 1 DEG DO NOT SCALE DRAWING		SCALE: 2:1			DRAWN BY: RMc
MATERIAL						DWG. SIZE: B	APPR. BY:	DATE:
FINISH						SHEET: 1 OF 1	DRAWING NUMBER: SK-1519	REV