

4

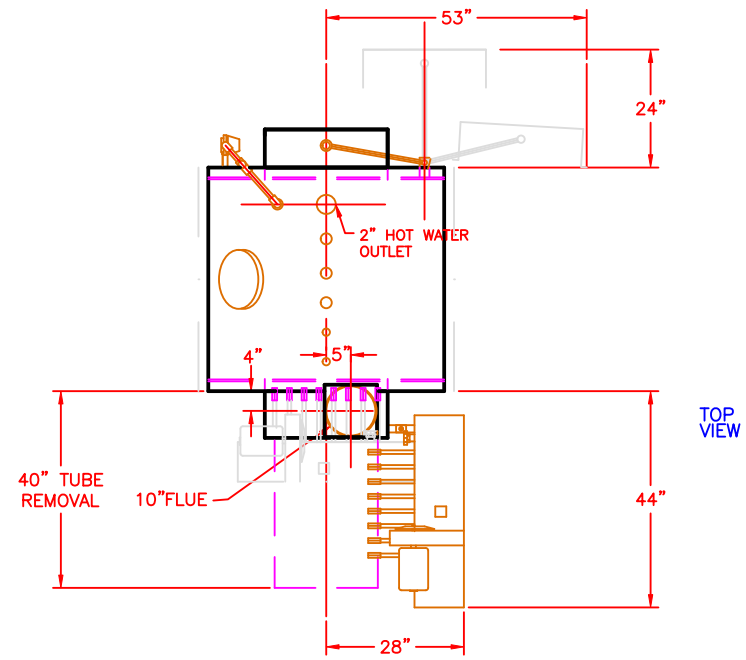
3

2

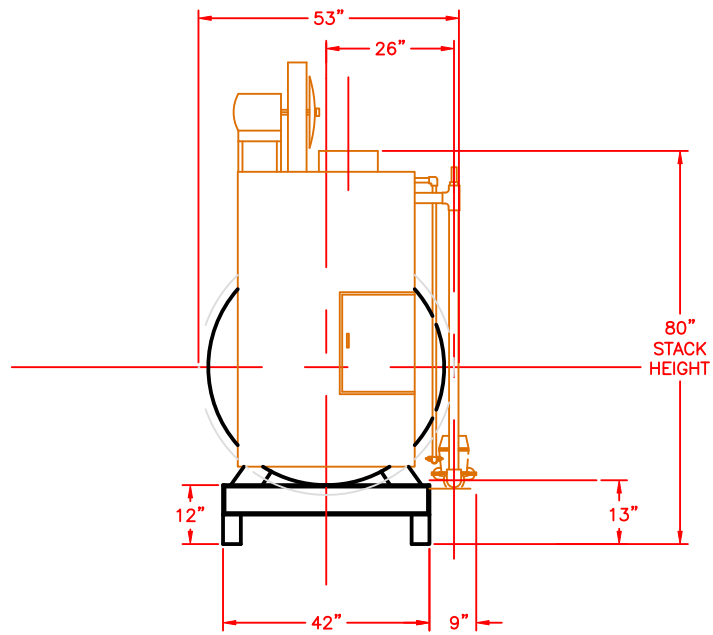
1

B

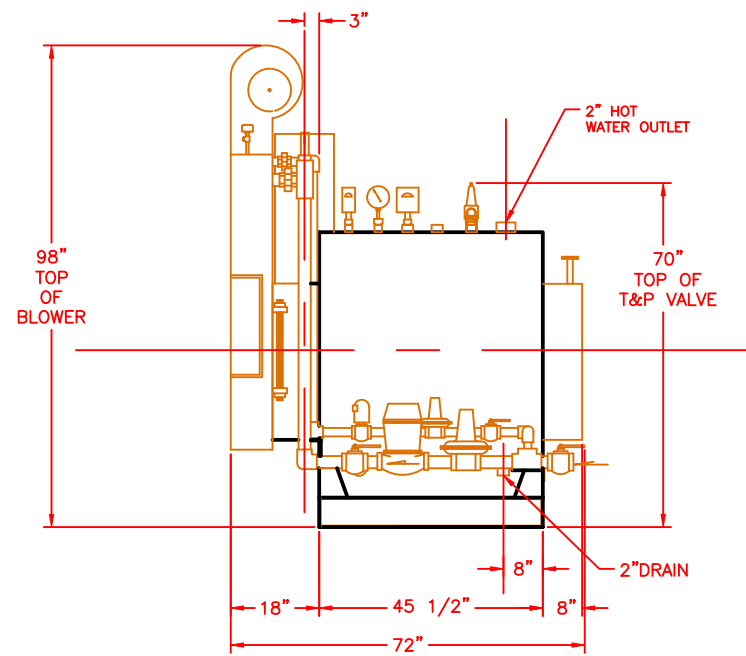
B



TOP VIEW



FRONT VIEW



SIDE VIEW

A

A

Sellers
MANUFACTURING CO.

918 West Walnut Street
Danville, KY 40422
Phone: (859) 236-3181
FAX: (859) 236-3184

Proprietary Information
These drawings and/or specifications are the property of Sellers MFG Co. They are issued in strict confidence and shall not be reproduced, copied, or used as the basis for manufacture or sale without permission of the owner.

REV.	DATE	DESCRIPTION OF CHANGE	DRAWN	APPROVED

WEIGHT 165
MATERIAL
FINISH

UNLESS OTHERWISE SPECIFIED:
DIMENSIONS ARE IN INCHES
TOLERANCES: FRACTIONAL ± 1/32
XXX ± .015
XXX ± .025
ANGLES ± 1 DEG
DO NOT SCALE DRAWING

TEMPLATE LAYOUT TP-20-290
TWO PASS WATER HEATER

SCALE:	DRAWN BY: RMc	DATE: 11/20/19
DWG. SIZE: B	APPR. BY:	DATE:
SHEET: 1 OF 1	DRAWING NUMBER: SK-1496	REV

4

3

2

1