

4

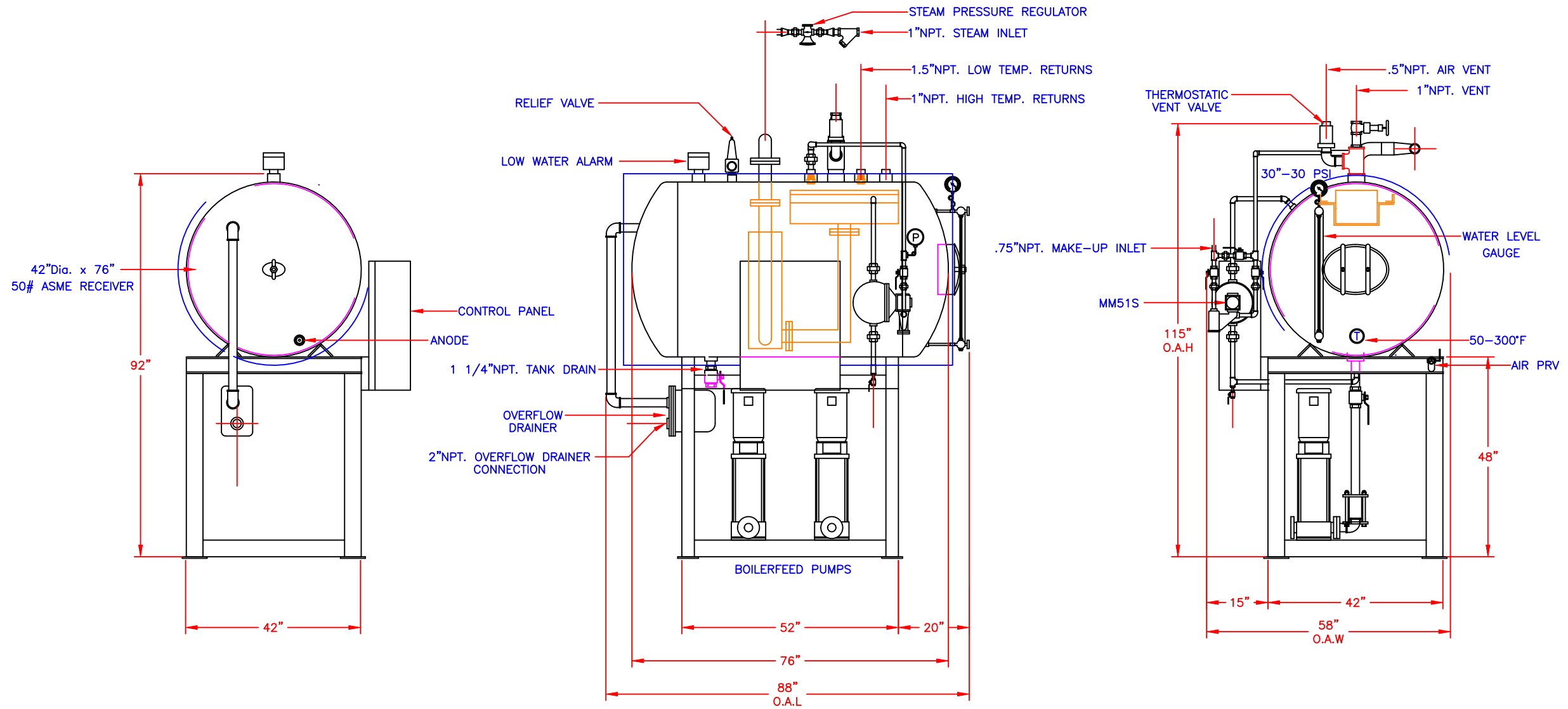
3

2

1

B

B



A

A

PUMP SIZE, CONFIGURATION AND STAND HEIGHT DEPENDS ON ENGINEERING SPECIFICATIONS.
 TANK, STAND AND COMPONENTS ARE ON LAYER 1
 INTERNAL COMPONENTS ARE ON LAYER 2
 DIMENSIONS ARE ON LAYER 4
 VERBAGE IS ON LAYER 5
 CENTERLINES ARE ON LAYER 8

	918 West Walnut Street Danville, KY 40422 Phone: (859) 236-3181 FAX: (859) 236-3184						TEMPLATE LAYOUT P5-300 PRESSURIZED DEAERATOR	
	Proprietary Information These drawings and/or specifications are the property of Sellers MFG Co. They are issued in strict confidence and shall not be reproduced, copied, or used as the basis for manufacture or sale without permission of the owner.		REV. DATE DESCRIPTION OF CHANGE DRAWN APPROVED			SCALE: DWG. SIZE: B		DRAWN BY: RMc DATE: 12/2/19 APPR. BY: DATE:
WEIGHT: 605		UNLESS OTHERWISE SPECIFIED: DIMENSIONS ARE IN INCHES TOLERANCES: FRACTIONAL ± 1/32 XXX ± .015 ANGLES ± 1 DEG DO NOT SCALE DRAWING		SHEET: 1 OF 1		DRAWING NUMBER: P5-0300		REV

4

3

2

1