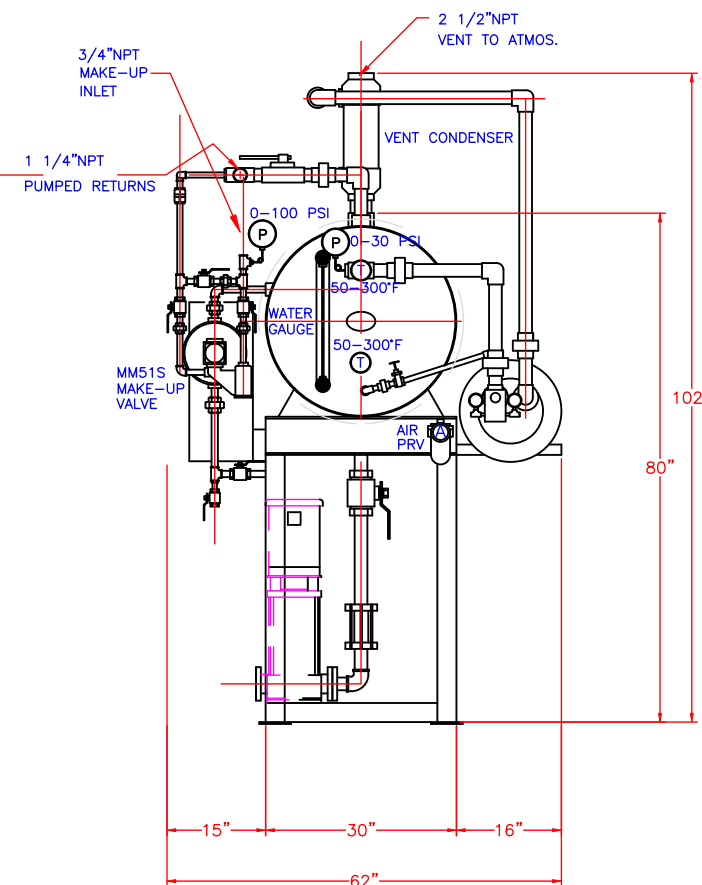
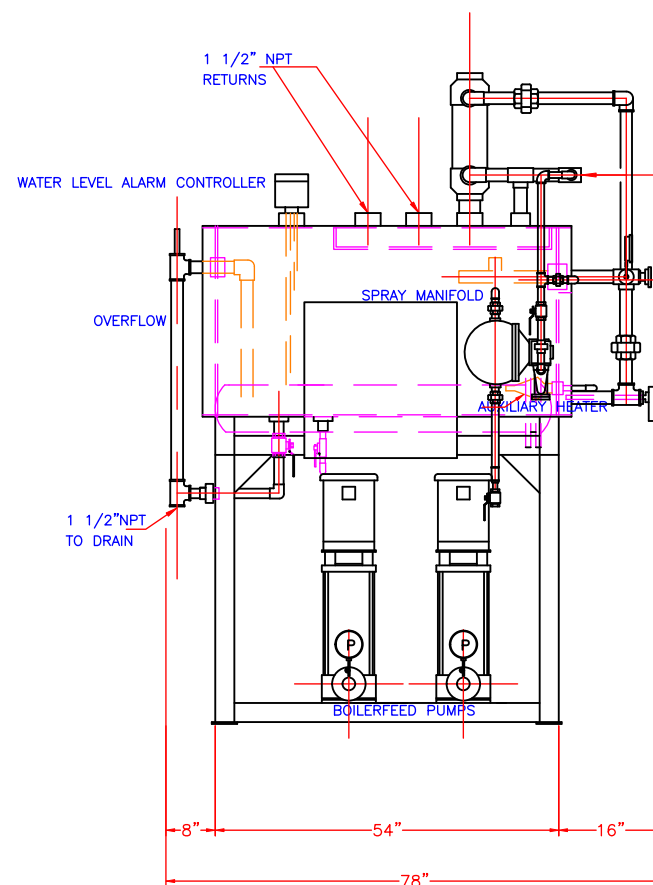
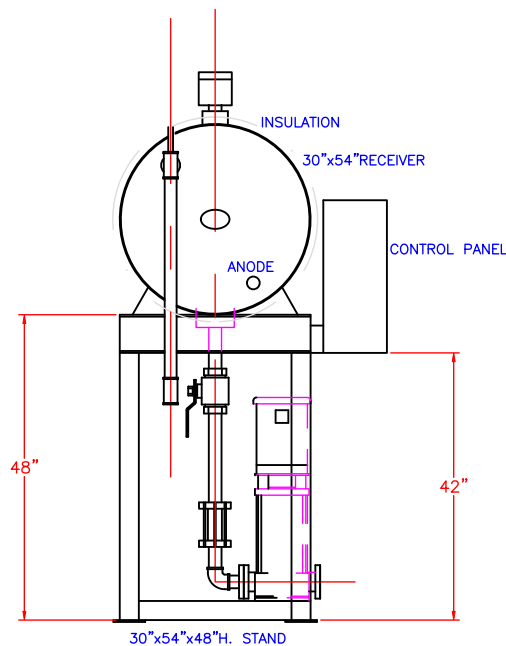
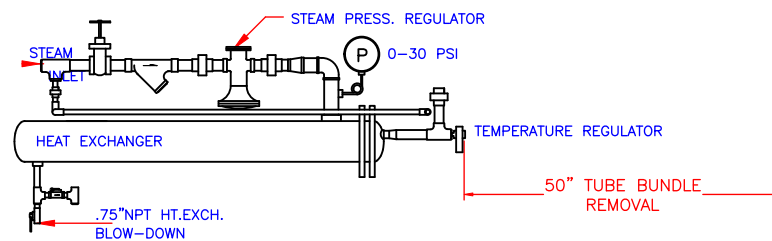


4

3

2

1



PUMP SIZE, CONFIGURATION AND STAND HEIGHT DEPENDS ON ENGINEERING SPECIFICATIONS.
 HEATING ASSEMBLY SIZING MAY VARY DEPENDING ON BLEND TEMPERATURE
 TANK, STAND AND COMPONENTS ARE ON LAYER 1
 INTERNAL COMPONENTS ARE ON LAYER 2
 DIMENSIONS ARE ON LAYER 4
 VERBAGE IS ON LAYER 5
 CENTERLINES ARE ON LAYER 8

Sellers
 MANUFACTURING CO.

918 West Walnut Street
 Danville, KY 40422
 Phone: (859) 236-3181
 FAX: (859) 236-3184

Proprietary Information
 These drawings and/or specifications are the property of Sellers MFG Co. They are issued in strict confidence and shall not be reproduced, copied, or used as the basis for manufacture or sale without permission of the owner.

| REV. | DATE | DESCRIPTION OF CHANGE | DRAWN | APPROVED |
|------|------|-----------------------|-------|----------|
| | | | | |
| | | | | |
| | | | | |

**TEMPLATE LAYOUT 5-200
 ATMOSPHERIC DEAERATOR**

| | | |
|----------------------|-------------------------------|----------------------|
| SCALE: | DRAWN BY: RMc | DATE: 12/5/19 |
| DWG. SIZE: B | APPR. BY: | DATE: |
| SHEET: 1 OF 1 | DRAWING NUMBER: 5-0200 | REV |

4

3

2

1