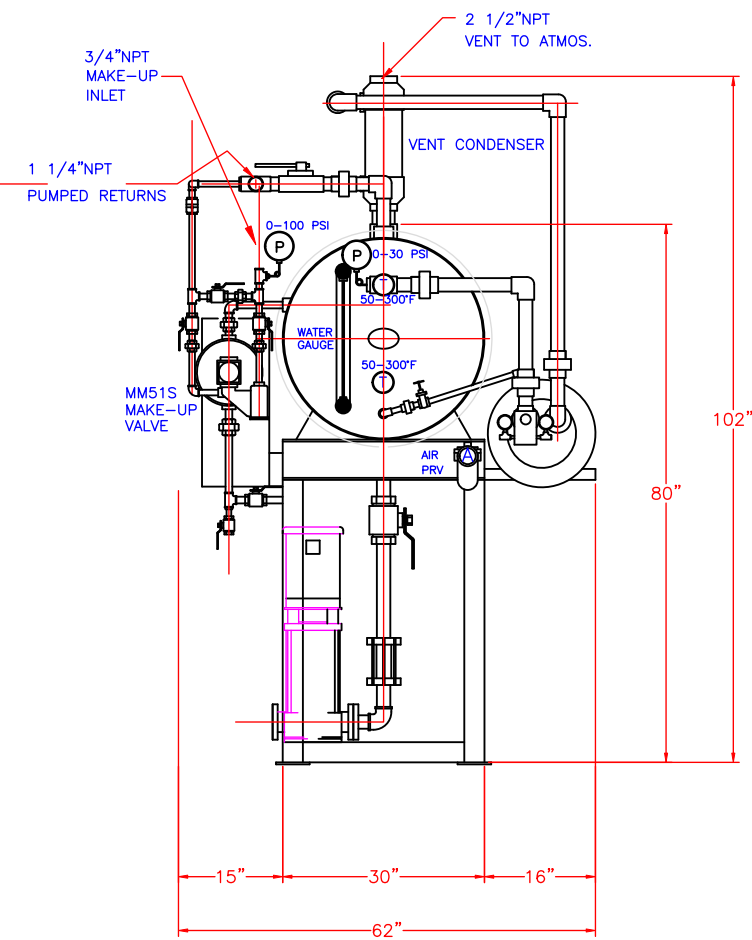
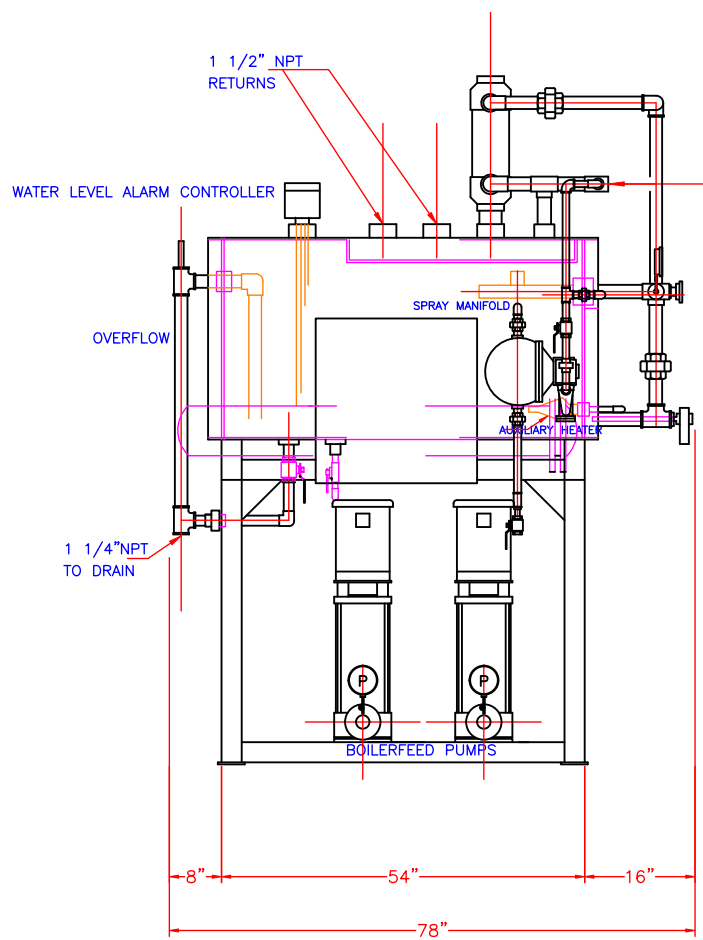
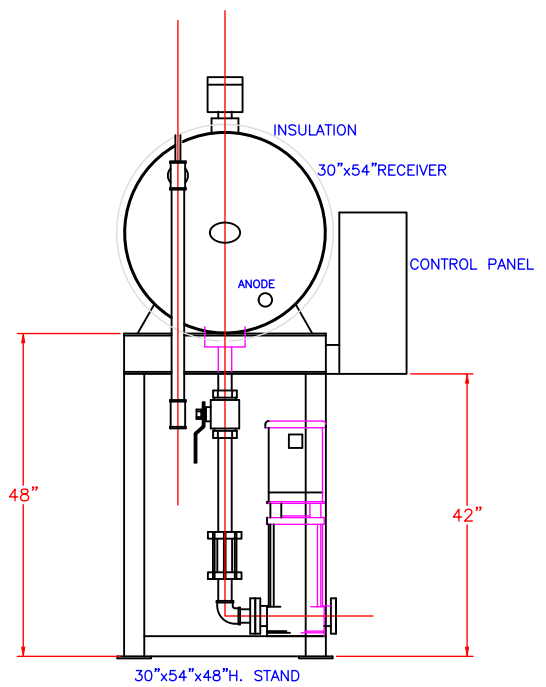
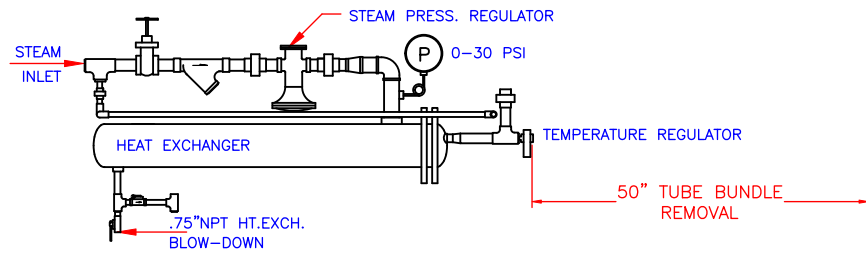


4

3

2

1



PUMP SIZE, CONFIGURATION AND STAND HEIGHT DEPENDS ON ENGINEERING SPECIFICATIONS.  
 HEATING ASSEMBLY SIZING MAY VARY DEPENDING ON BLEND TEMPERATURE  
 TANK, STAND AND COMPONENTS ARE ON LAYER 1  
 INTERNAL COMPONENTS ARE ON LAYER 2  
 DIMENSIONS ARE ON LAYER 4  
 VERBAGE IS ON LAYER 5  
 CENTERLINES ARE ON LAYER 8

**Sellers**  
 MANUFACTURING CO.

918 West Walnut Street  
 Danville, KY 40422  
 Phone: (859) 236-3181  
 FAX: (859) 236-3184

Proprietary Information  
 These drawings and/or specifications are the property  
 of Sellers MFG Co. They are issued in  
 strict confidence and shall not be reproduced, copied,  
 or used as the basis for manufacture or sale without  
 permission of the owner.

REV.	DATE	DESCRIPTION OF CHANGE	DRAWN	APPROVED

**TEMPLATE LAYOUT 5-100  
 ATMOSPHERIC DEAERATOR**

WEIGHT	lbs	UNLESS OTHERWISE SPECIFIED: DIMENSIONS ARE IN INCHES TOLERANCES: XXX ± .015 XXXX ± .005 ANGLES ± 1 DEG. TO NET SCALE DRAWING	SCALE:	DRAWN BY: <b>RMc</b>	DATE: <b>12/5/19</b>
MATERIAL			DWG. SIZE: <b>B</b>	APPR. BY:	DATE:
FINISH			SHEET: <b>1 OF 1</b>	DRAWING NUMBER: <b>5-0100</b>	REV

4

3

2

1

B

B

A

A