

4

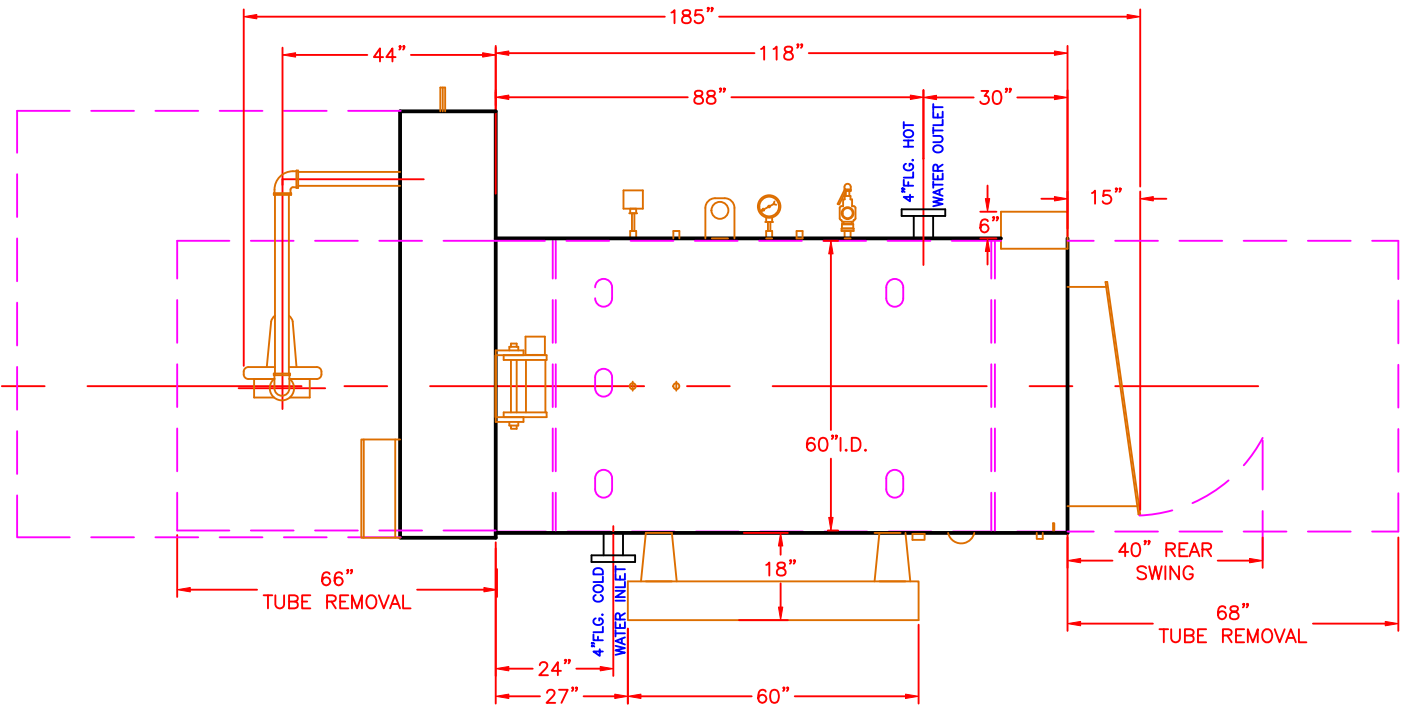
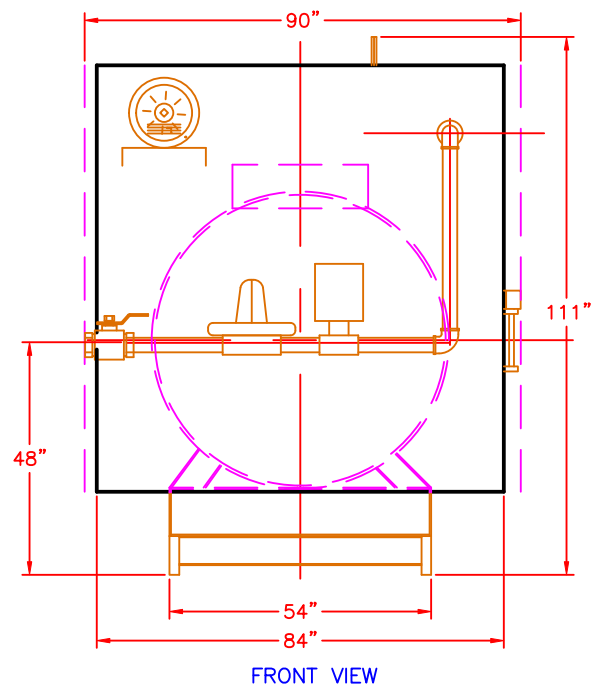
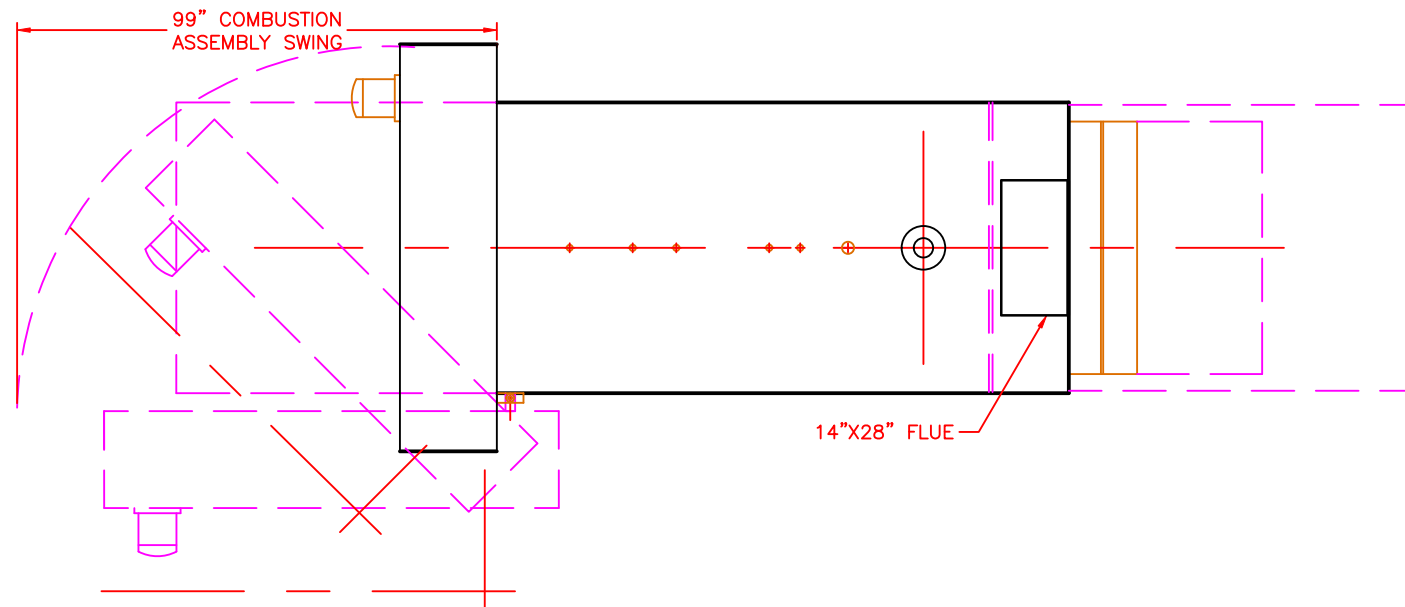
3

2

1

B

B



A

A

4

3

2

1

Sellers
MANUFACTURING CO.

918 West Walnut Street
Danville, KY 40422
Phone: (859) 236-3181
FAX: (859) 236-3184

Proprietary Information
These drawings and/or specifications are the property of Sellers MFG Co. They are issued in strict confidence and shall not be reproduced, copied, or used as the basis for manufacture or sale without permission of the owner.

REV.	DATE	DESCRIPTION OF CHANGE	DRAWN	APPROVED

WEIGHT 165

MATERIAL

FINISH

UNLESS OTHERWISE SPECIFIED:
DIMENSIONS ARE IN INCHES
TOLERANCES:
FRACTIONAL ± 1/32
XXX ± .015
XXX ± .015
ANGLES ± 1 DEG
DO NOT SCALE DRAWING

TEMPLATE LAYOUT BT-110-1000
HOT WATER HEATER

SCALE: DWG. SIZE: B SHEET: 1 OF 1 DRAWING NUMBER: SK-1524

DRAWN BY: RMc DATE: 1118/19

APPR. BY: DATE: REV