

4

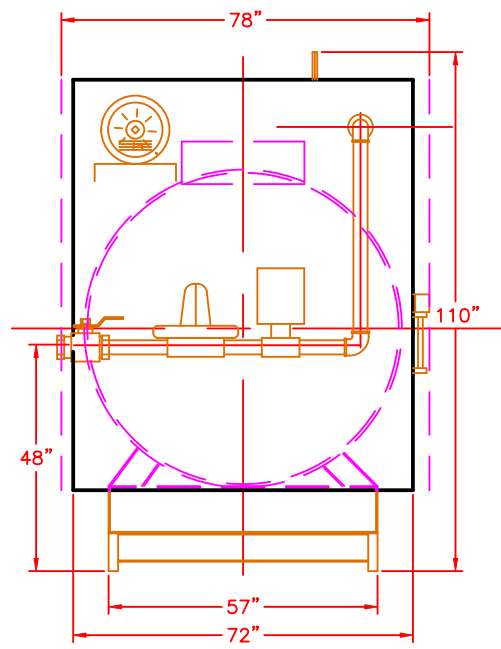
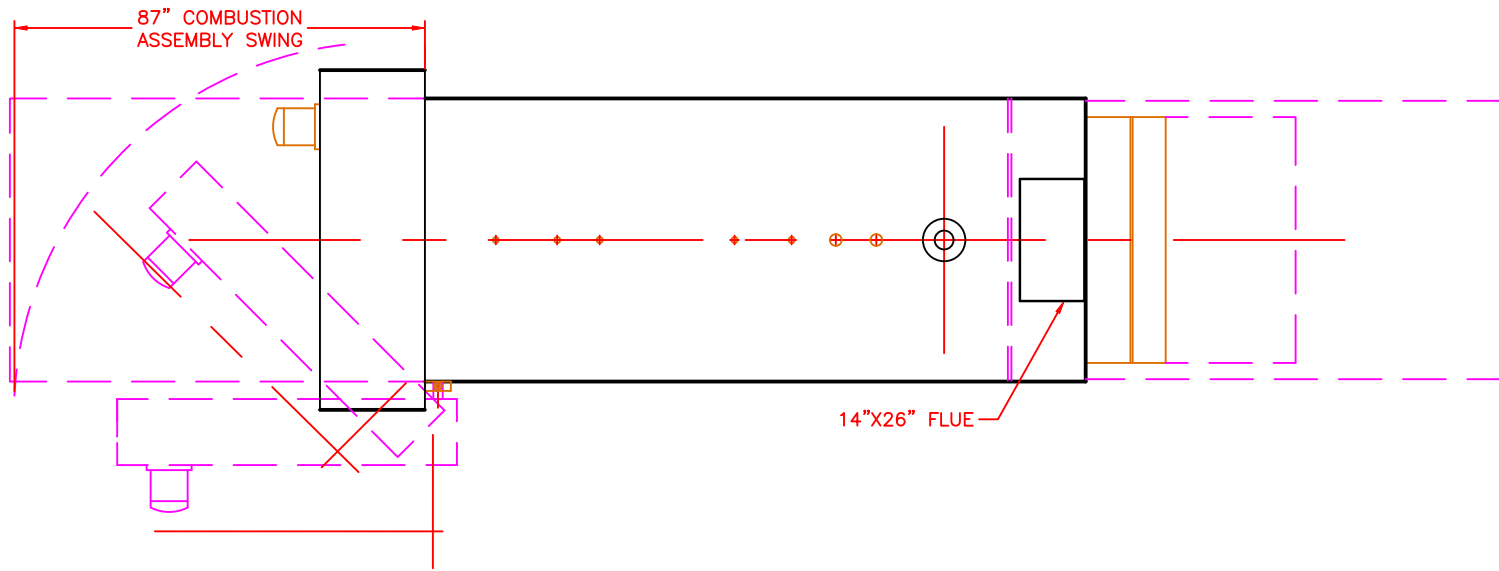
3

2

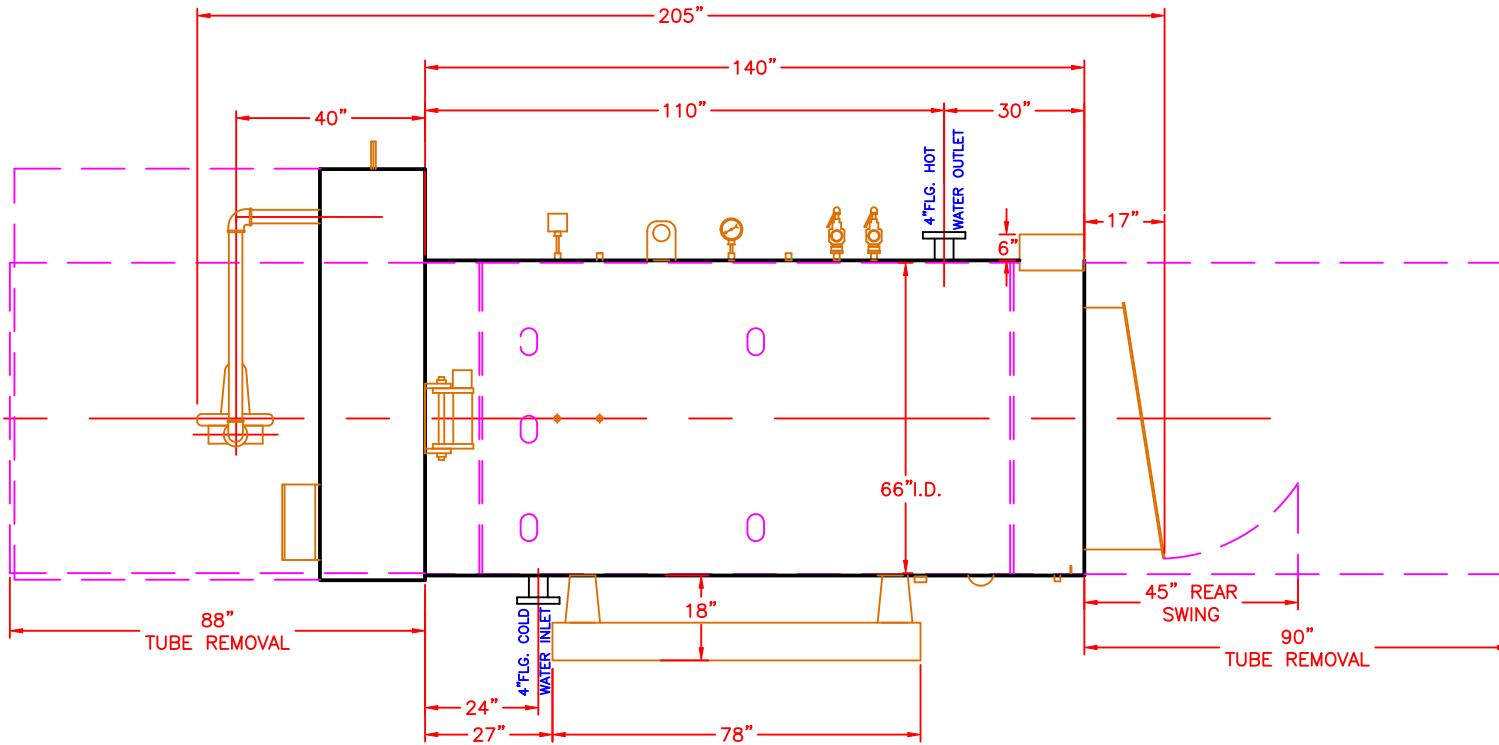
1

B

B



FRONT VIEW



A

A

4

3

2

1

<p>918 West Walnut Street Danville, KY 40422 Phone: (859) 236-3181 FAX: (859) 236-3184</p>	<p>Proprietary Information These drawings and/or specifications are the property of Sellers MFG Co. They are issued in strict confidence and shall not be reproduced, copied, or used as the basis for manufacture or sale without permission of the owner.</p>				<p>UNLESS OTHERWISE SPECIFIED: DIMENSIONS ARE IN INCHES TOLERANCES: FRACTIONAL ± 1/32 XXX ± .015 ANGLES ± 1 DEG DO NOT SCALE DRAWING</p>		<p>SCALE: 2:1 DWG. SIZE: B SHEET: 1 OF 1</p>		<p>DATE: 11/14/19</p>	
	<p>REV. DATE DESCRIPTION OF CHANGE DRAWN APPROVED</p>	<p>WEIGHT 165</p>	<p>DRAWN BY: RMc</p>		<p>APPR. BY:</p>		<p>DRAWING NUMBER: SK-1523-1</p>		<p>REV</p>	

TEMPLATE LAYOUT BT-100-1500  
HOT WATER HEATER