

4

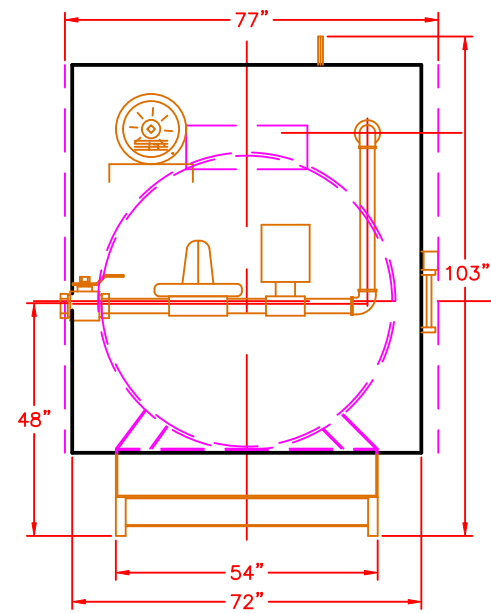
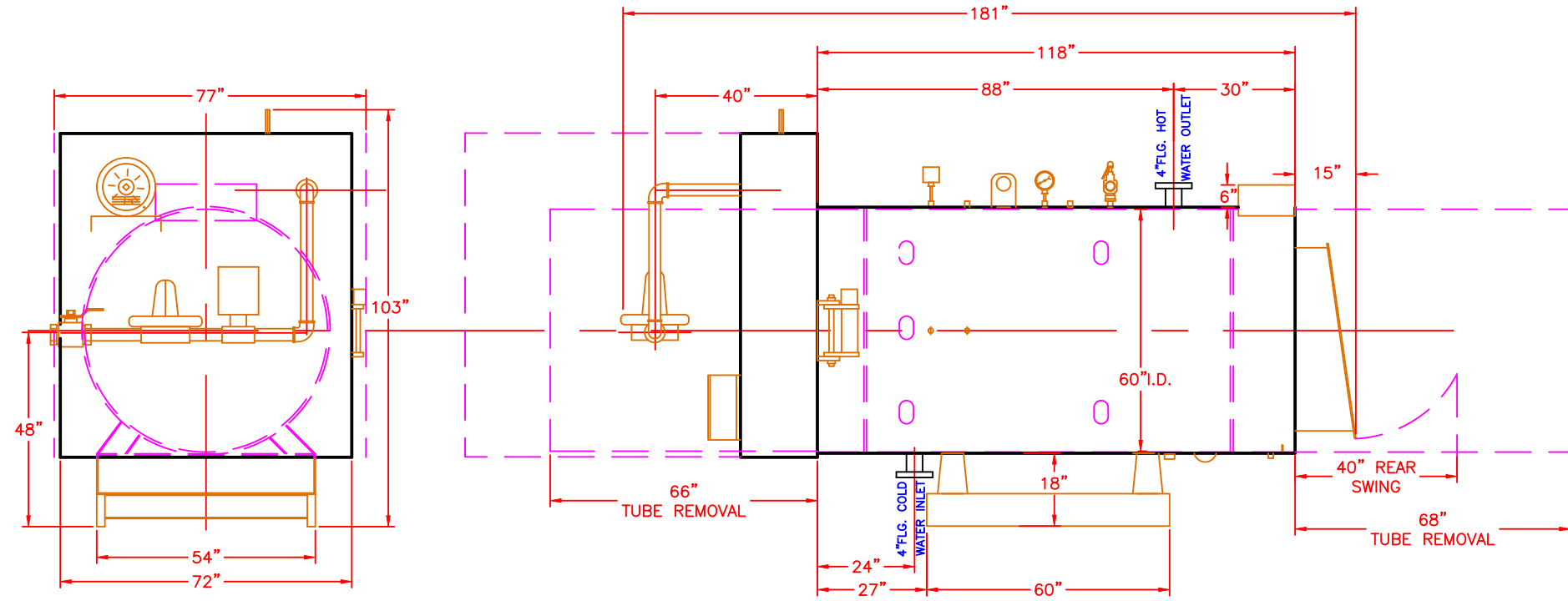
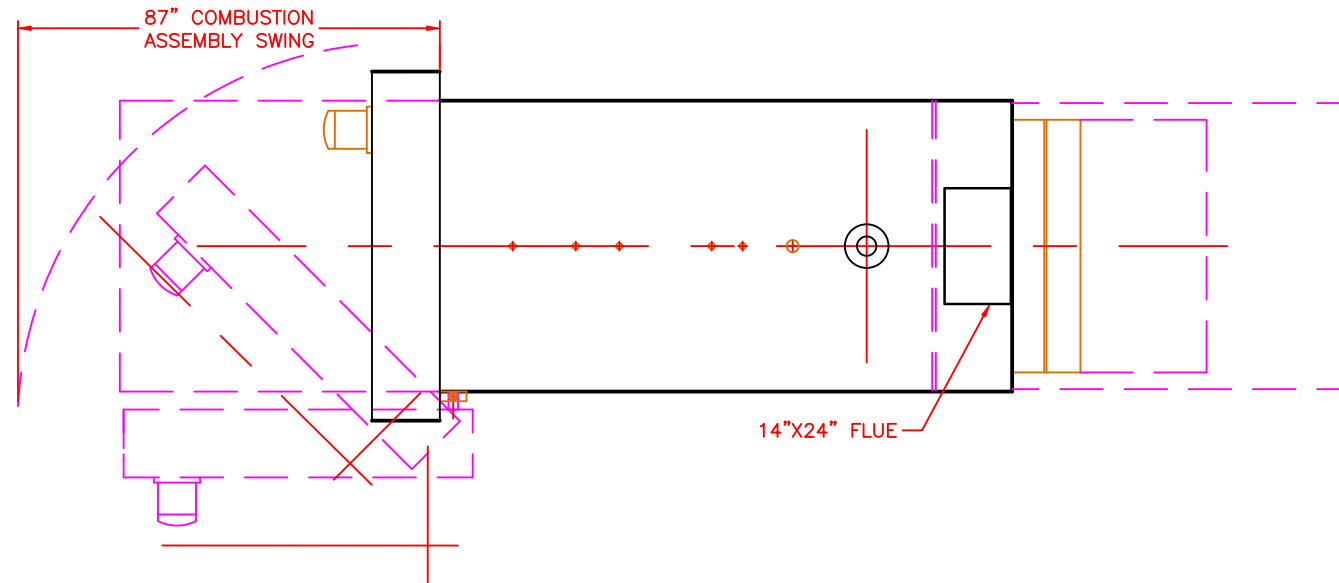
3

2

1

B

B



FRONT VIEW

A

A

|  |            |      |  |       |            |   |                         |
|--|------------|------|--|-------|------------|---|-------------------------|
| <p><b>Sellers</b><br/>MANUFACTURING CO.</p> <p>918 West Walnut Street<br/>Danville, KY 40422<br/>Phone: (859) 236-3181<br/>FAX: (859) 236-3184</p> <p>Proprietary Information<br/>These drawings and/or specifications are the property of Sellers MFG Co. They are issued in strict confidence and shall not be reproduced, copied, or used as the basis for manufacture or sale without permission of the owner.</p> | REV.       | DATE | DESCRIPTION OF CHANGE  | DRAWN | APPROVED   | <p><b>TEMPLATE LAYOUT BT-90-1000<br/>HOT WATER HEATER</b></p> |                         |
|  | WEIGHT 165 |      | UNLESS OTHERWISE SPECIFIED:<br>DIMENSIONS ARE IN INCHES<br>TOLERANCES: FRACTIONAL ± 1/32<br>XXX ± .015<br>XXX ± .005<br>ANGLES ± 1 DEG<br>DO NOT SCALE DRAWING |       | SCALE: 2:1 |   |                         |
| MATERIAL   |            |      |  |       |            | DWG. SIZE: B  | APPR. BY:               |
| FINISH   |            |      |  |       |            | SHEET: 1 OF 1   | DRAWING NUMBER: SK-1522 |
|  |            |      |  |       |            |   | REV                     |

4

3

2

1