

4

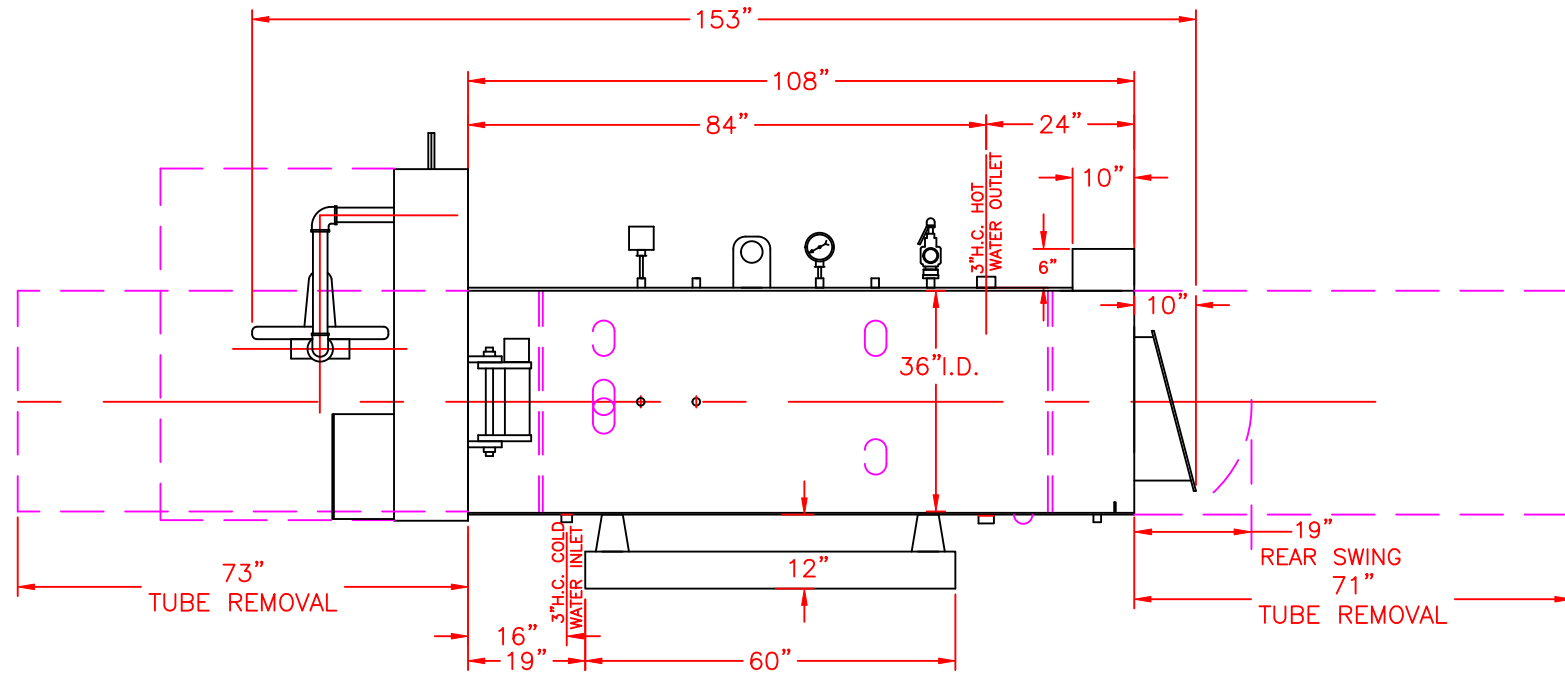
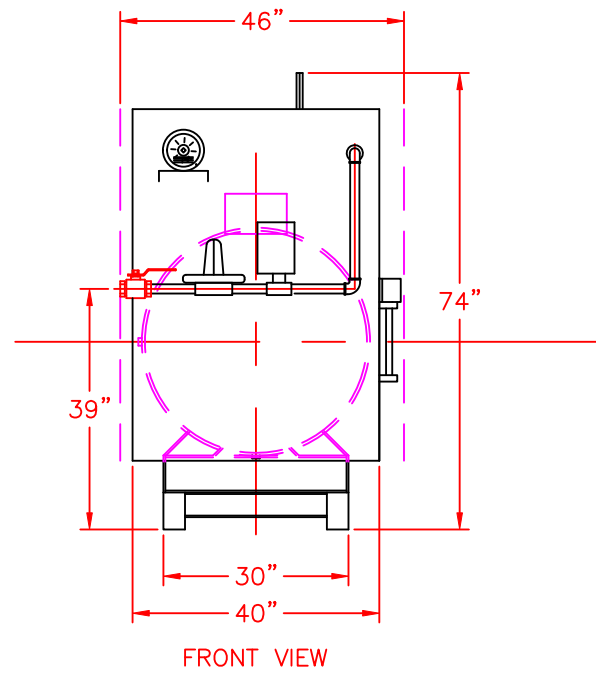
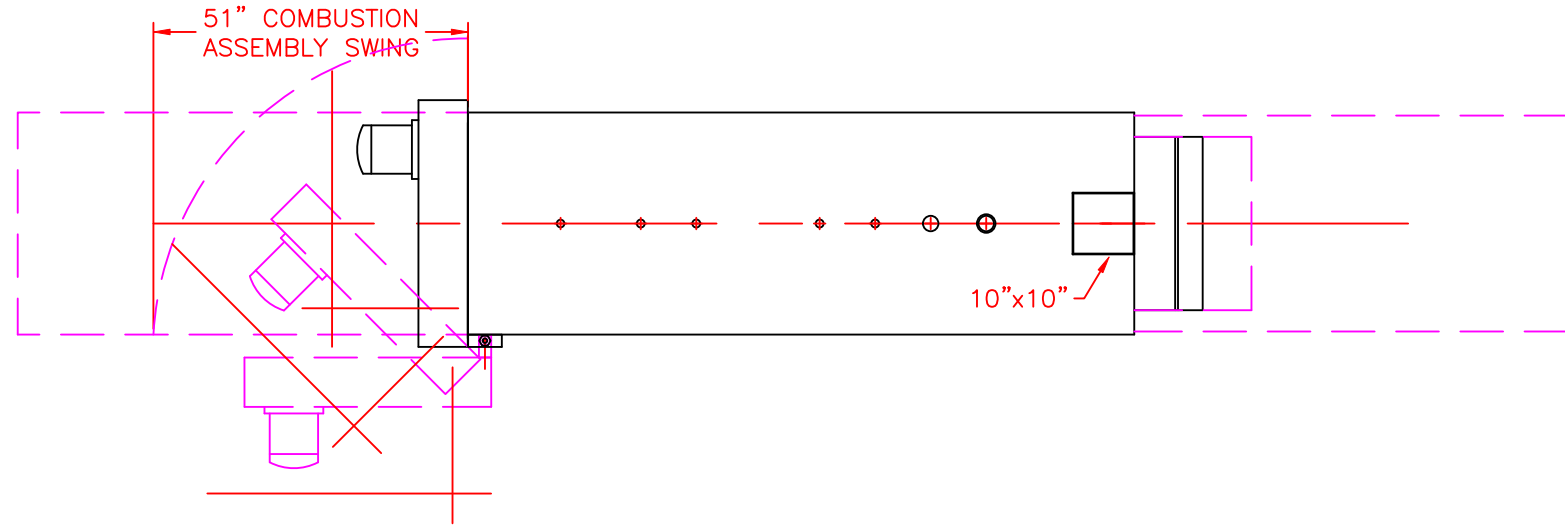
3

2

1

B

B



A

A

4

3

2

1

|  |   |  |                 |  |   |  |  |                                |                     |  |                      |            |                       |  |
|--|---|--|-----------------|--|---|--|--|--------------------------------|---------------------|--|----------------------|------------|-----------------------|--|
| <p>918 West Walnut Street<br/>Danville, KY 40422<br/>Phone: (859) 236-3181<br/>FAX: (859) 236-3184</p> | <p>Proprietary Information<br/>These drawings and/or specifications are the property of Sellers MFG Co. They are issued in strict confidence and shall not be reproduced, copied, or used as the basis for manufacture or sale without permission of the owner.</p> |  |                 |  | <p>REV. DATE DESCRIPTION OF CHANGE DRAWN APPROVED</p> |  |  |                                | <p>SCALE: 2:1</p>   |  | <p>DRAWN BY: RMc</p> |            | <p>DATE: 11/14/19</p> |  |
|  | <p>WEIGHT lbs</p>   |  | <p>MATERIAL</p> |  | <p>FINISH</p>   |  | <p>UNLESS OTHERWISE SPECIFIED: DIMENSIONS ARE IN INCHES TOLERANCES: FRACTIONAL ± 1/32 XXX ± .015 XXXX ± .005 ANGLES ± 1 DEG DO NOT SCALE DRAWING</p> |                                | <p>DWG. SIZE: B</p> |  | <p>APPR. BY:</p>     |            | <p>DATE:</p>          |  |
| <p>SHEET: 1 OF 1</p>   |   |  |                 |  |   |  |  | <p>DRAWING NUMBER: SK-1500</p> |                     |  |                      | <p>REV</p> |                       |  |

TEMPLATE LAYOUT BT-24-360  
HOT WATER HEATER