

4

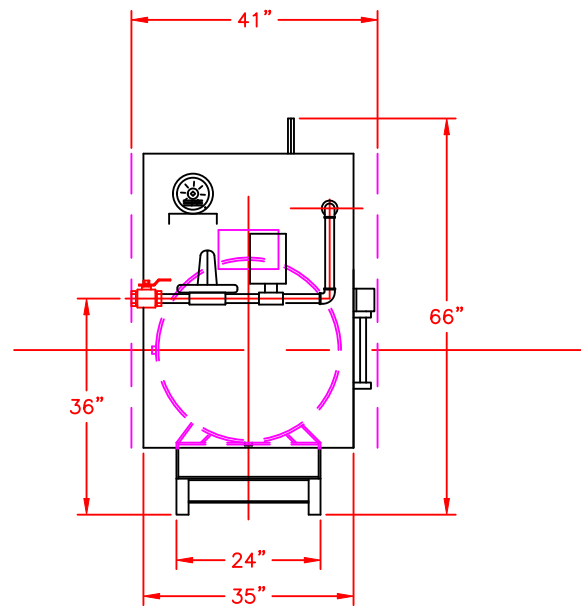
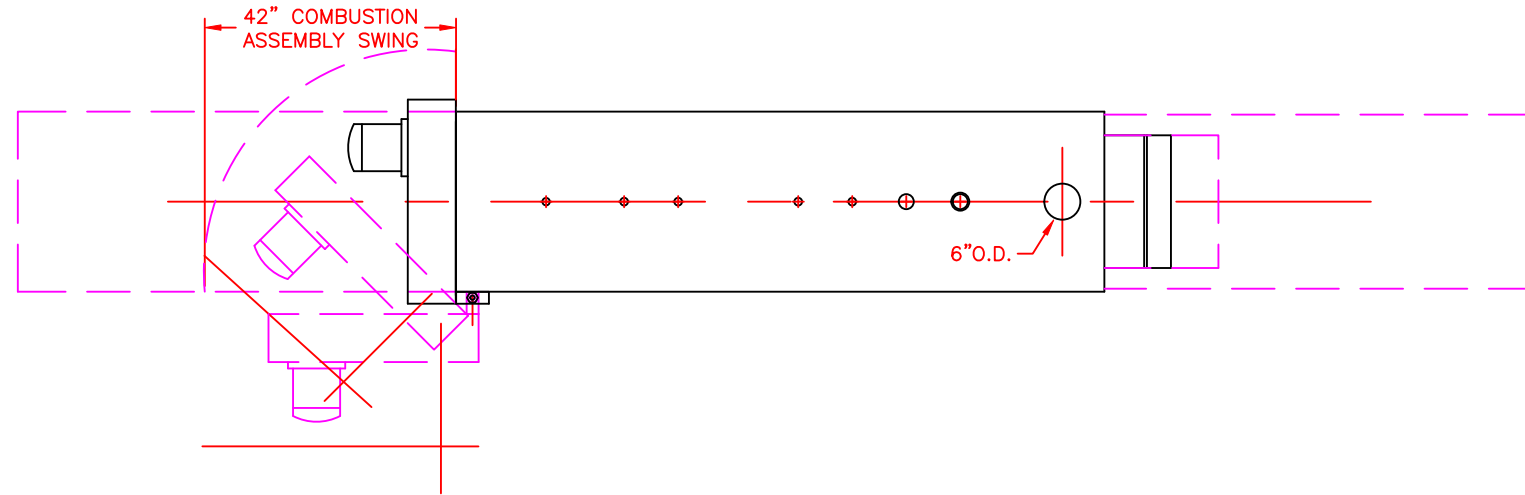
3

2

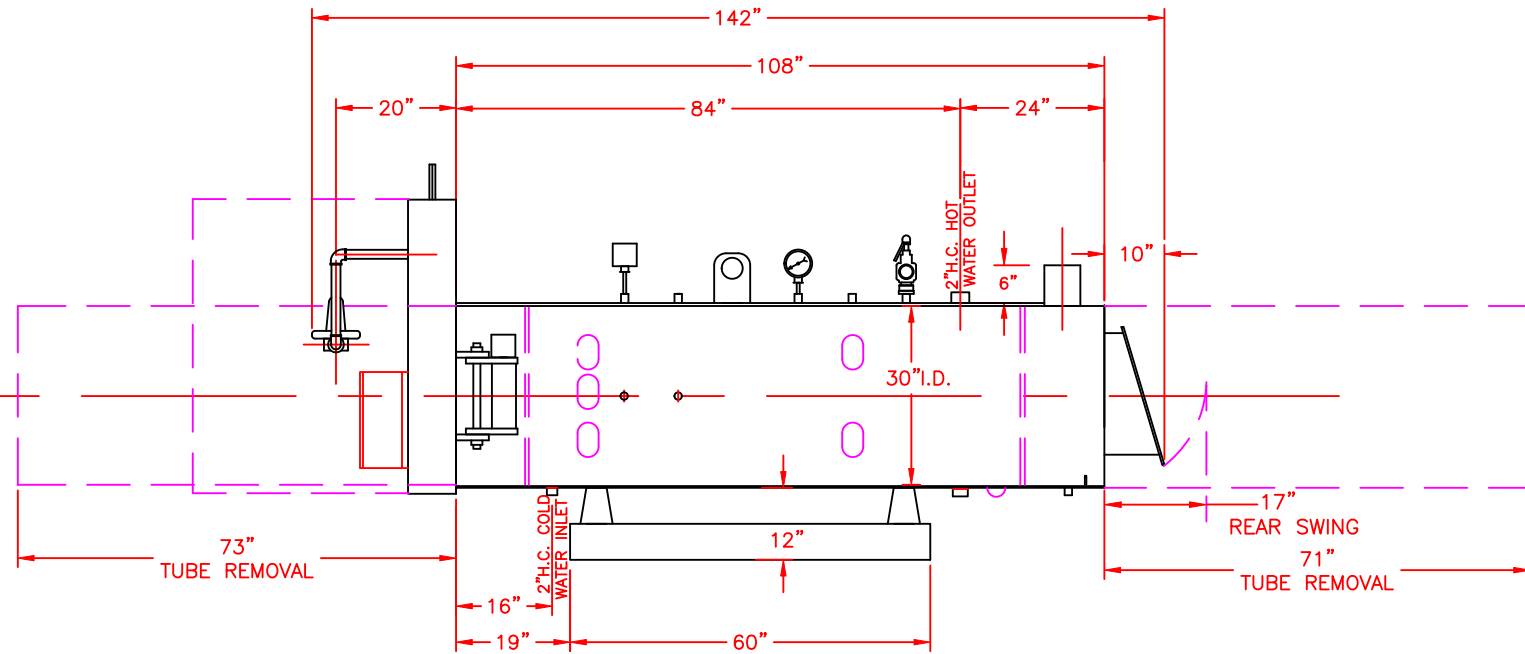
1

B

B



FRONT VIEW



A

A

4

3

2

1

**Sellers**  
 MANUFACTURING CO.

918 West Walnut Street  
 Danville, KY 40422  
 Phone: (859) 236-3181  
 FAX: (859) 236-3184

Proprietary Information

These drawings and/or specifications are the property of Sellers Mfg Co. They are issued in strict confidence and shall not be reproduced, copied, or used as the basis for manufacture or sale without permission of the owner.

REV.	DATE	DESCRIPTION OF CHANGE	DRAWN	APPROVED

TEMPLATE LAYOUT BT-8-250  
 HOT WATER HEATER

SCALE: 2:1	DRAWN BY: RMc	DATE: 11/13/19
DWG. SIZE: B	APPR. BY:	DATE:
SHEET: 1 OF 1	DRAWING NUMBER: SK-1509	REV

UNLESS OTHERWISE SPECIFIED:  
 DIMENSIONS ARE IN INCHES  
 TOLERANCES:  
 FRACTIONAL ± 1/32  
 DECIMAL ± .015  
 ANGLES ± 1 DEG  
 DO NOT SCALE DRAWING