

4

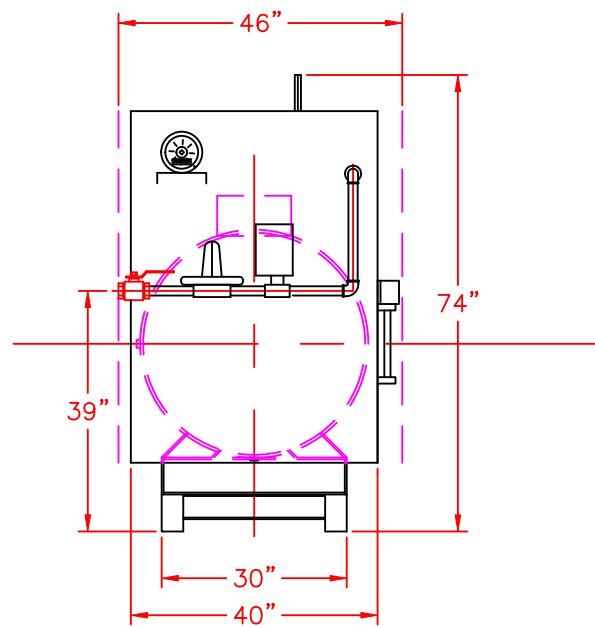
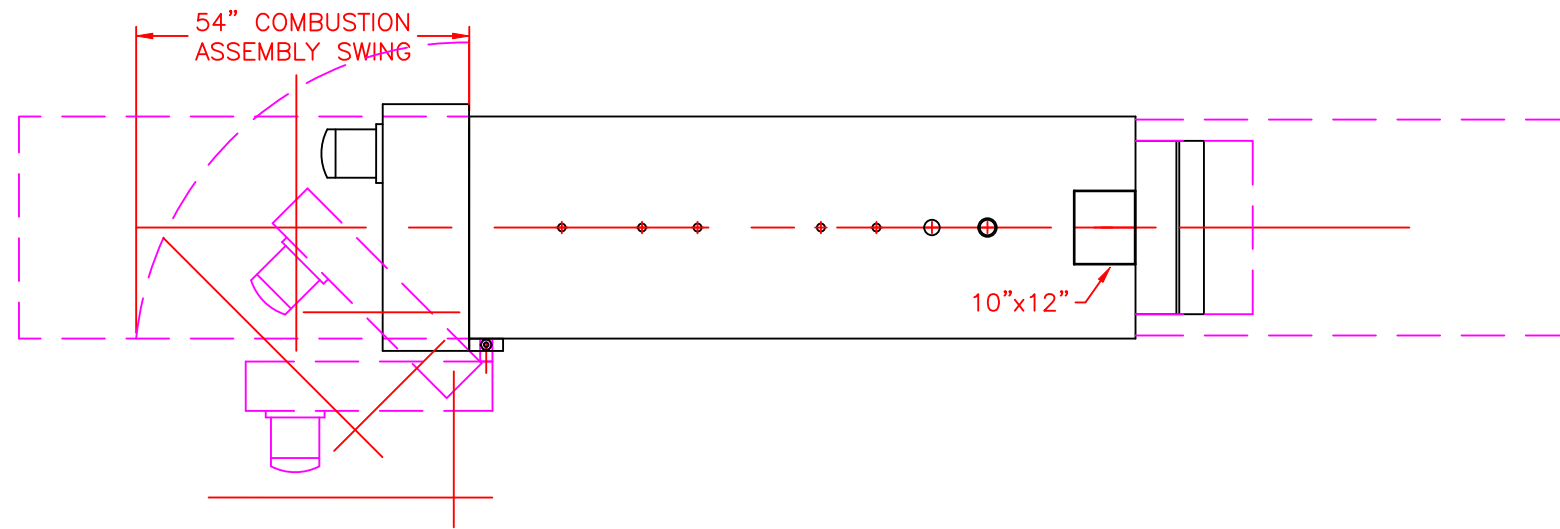
3

2

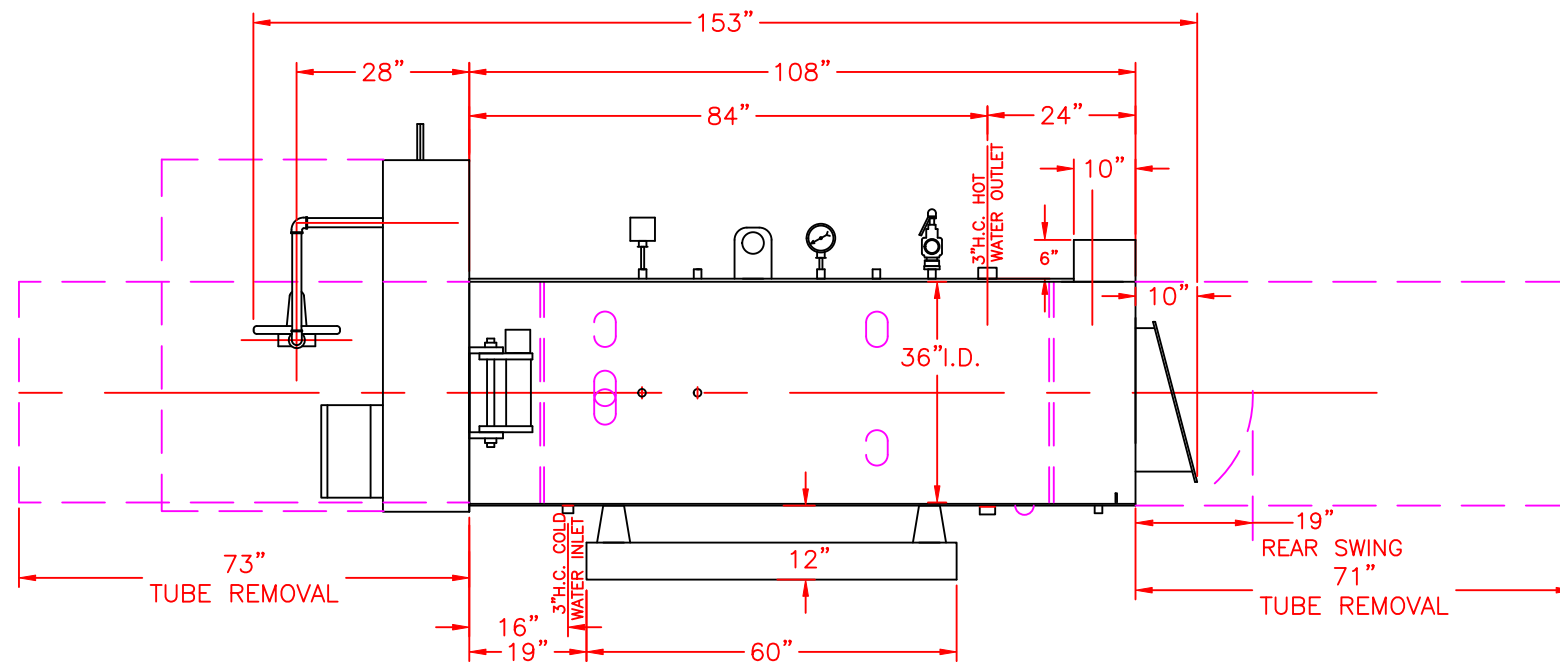
1

B

B



FRONT VIEW



A

A

**Sellers**  
MANUFACTURING CO.

918 West Walnut Street  
Danville, KY 40422  
Phone: (859) 236-3181  
FAX: (859) 236-3184

Proprietary Information  
These drawings and/or specifications are the property of Sellers MFG Co. They are issued in strict confidence and shall not be reproduced, copied, or used as the basis for manufacture or sale without permission of the owner.

REV.	DATE	DESCRIPTION OF CHANGE	DRAWN	APPROVED

WEIGHT 105

MATERIAL

FINISH

UNLESS OTHERWISE SPECIFIED: DIMENSIONS ARE IN INCHES  
TOLERANCES: FRACTIONAL ± 1/32  
XXX ± .015  
XXX ± .025  
ANGLES ± 1 DEG  
DO NOT SCALE DRAWING

**TEMPLATE LAYOUT BT-32-360  
HOT WATER HEATER**

SCALE: 2:1  
DWG. SIZE: B  
SHEET: 1 OF 1

DRAWN BY: RMc  
APPR. BY:  
DRAWING NUMBER: SK-1501

DATE: 11/14/19  
REV

4

3

2

1