

4

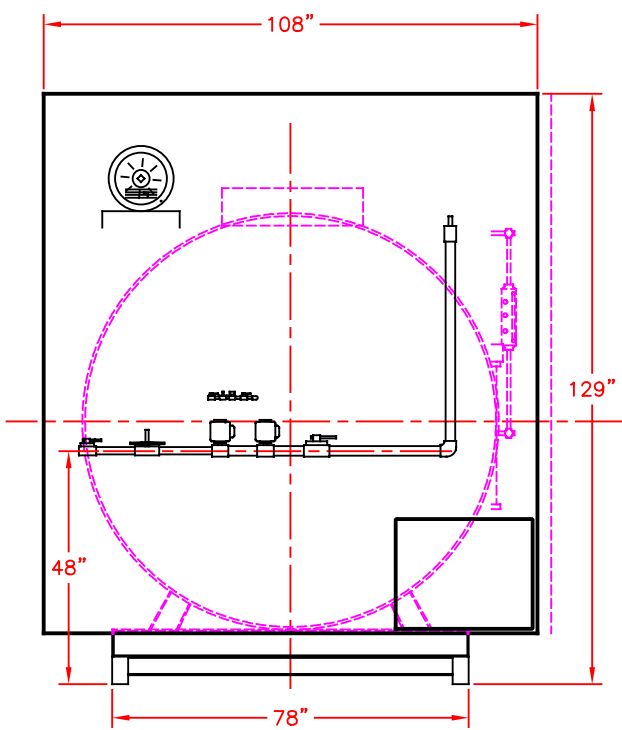
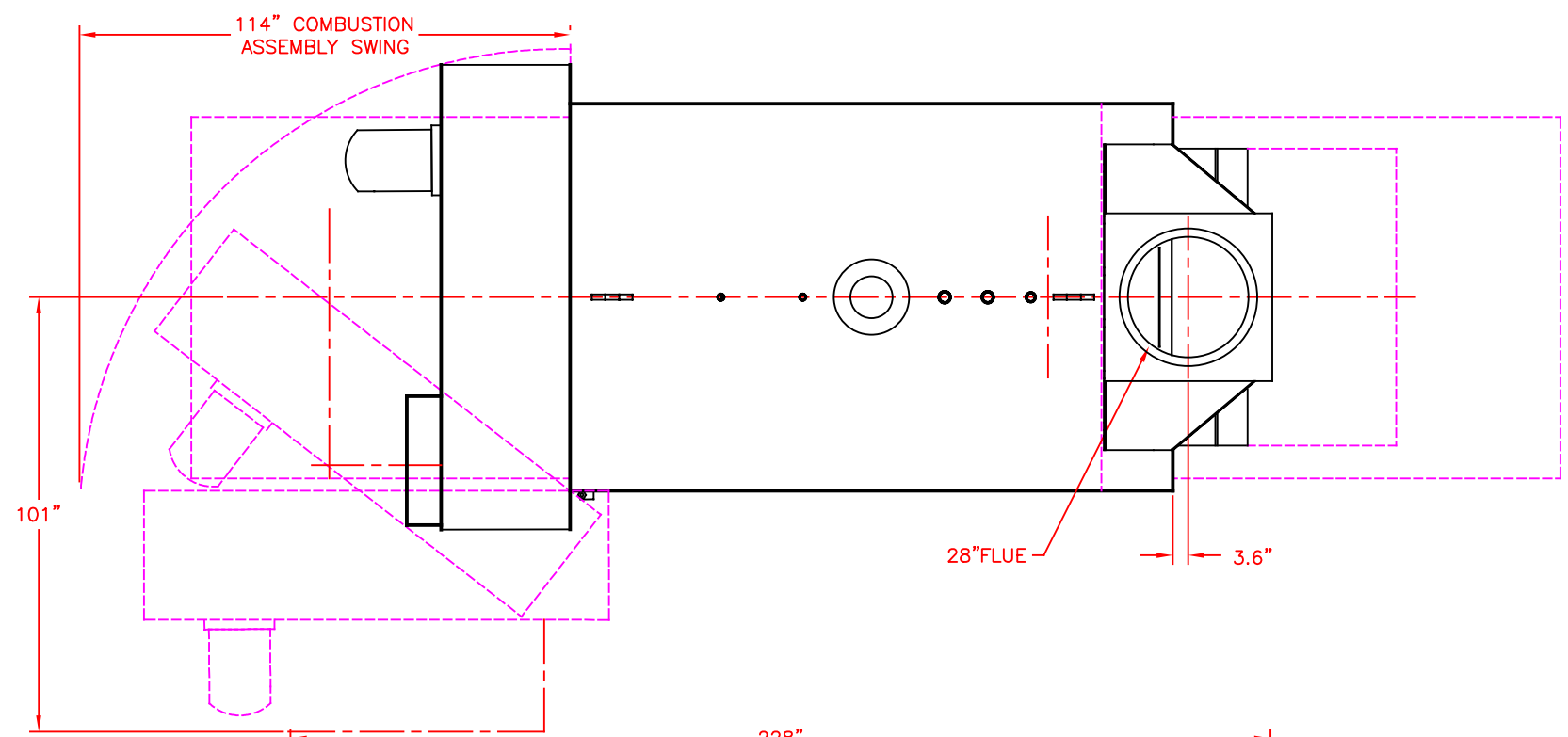
3

2

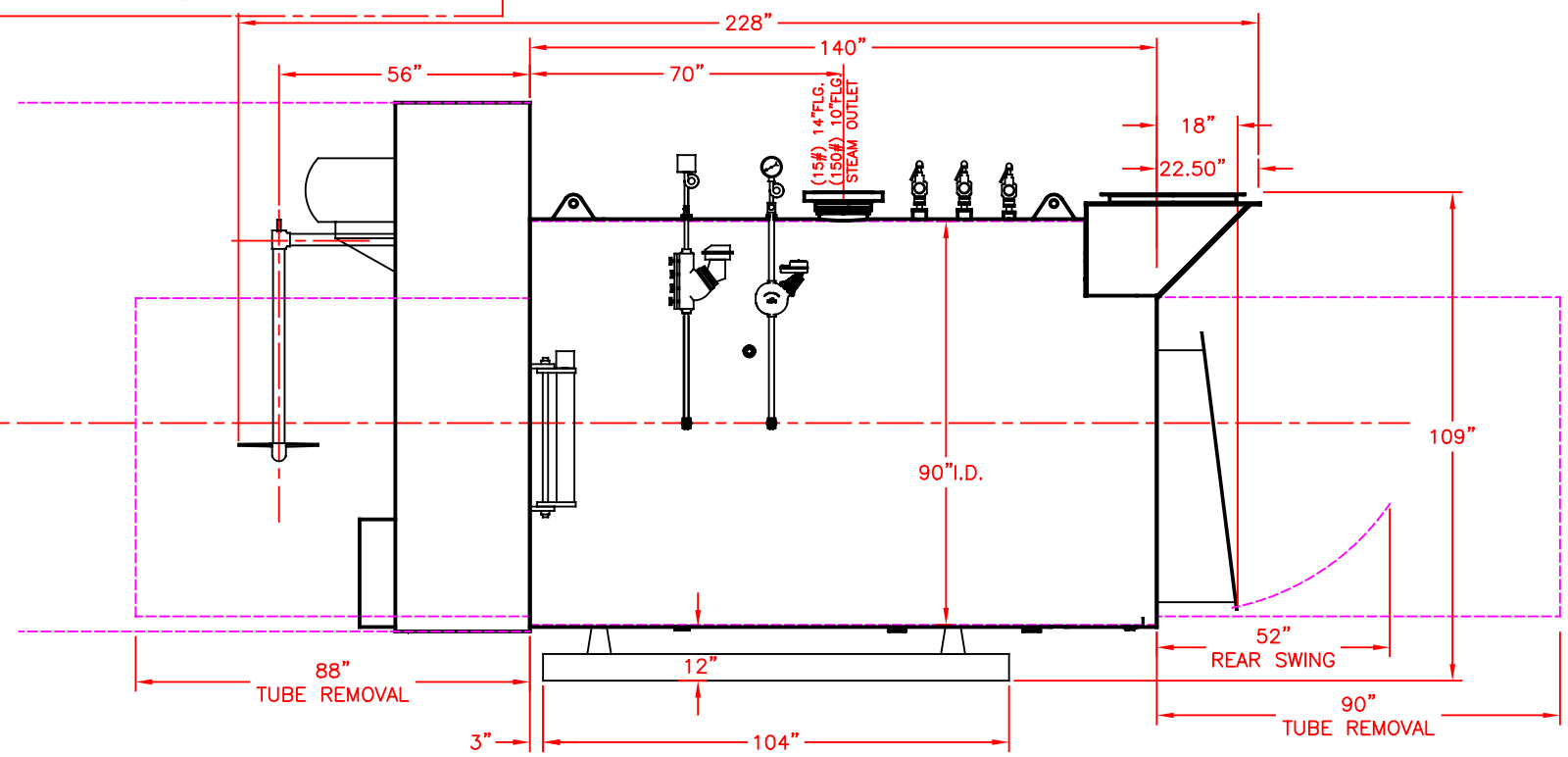
1

NOTES:

- Boiler template is for S, X, & H Series Boilers
- Boiler shown is standard built boiler. Modifications are available upon request.
- Overall length of boiler may vary based on gas train sizing.
- Number, size, and location of safety relief valves and openings may change based on design pressure of boiler.
- Some accessories may or may not be shown.



FRONT VIEW



**Sellers**  
 MANUFACTURING CO.  
 918 West Walnut Street  
 Danville, KY 40422  
 Phone: (859) 236-3181  
 Fax: (859) 236-3184

Proprietary Information  
 These drawings and/or specifications are the property of Sellers Mfg Co. They are issued in strict confidence and shall not be reproduced, copied, or used as the basis for manufacture or sale without permission of the owner.

3				
2				
1				
REV.	DATE	DESCRIPTION OF CHANGE	DRAWN	APPROVED
WEIGHT lbs		UNLESS OTHERWISE SPECIFIED: DIMENSIONS ARE IN INCHES TOLERANCES: XXX ± .015 X.XXX ± .005 ANGLES ± 1 DEG DO NOT SCALE DRAWING		
MATERIAL				
FINISH				

<b>TEMPLATE LAYOUT 800HP STEAM BOILER</b>		SCALE: 1:42	DRAWN BY: MMY	DATE: 03/16/2021
		DWG. SIZE: B	APPR. BY:	DATE:
SHEET: 1 OF 1		DRAWING NUMBER:		REV: 0

4

3

2

1