

4

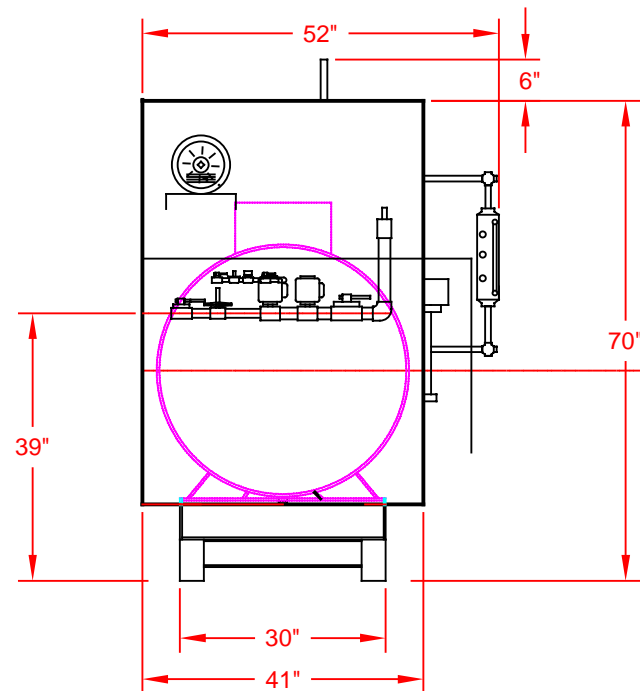
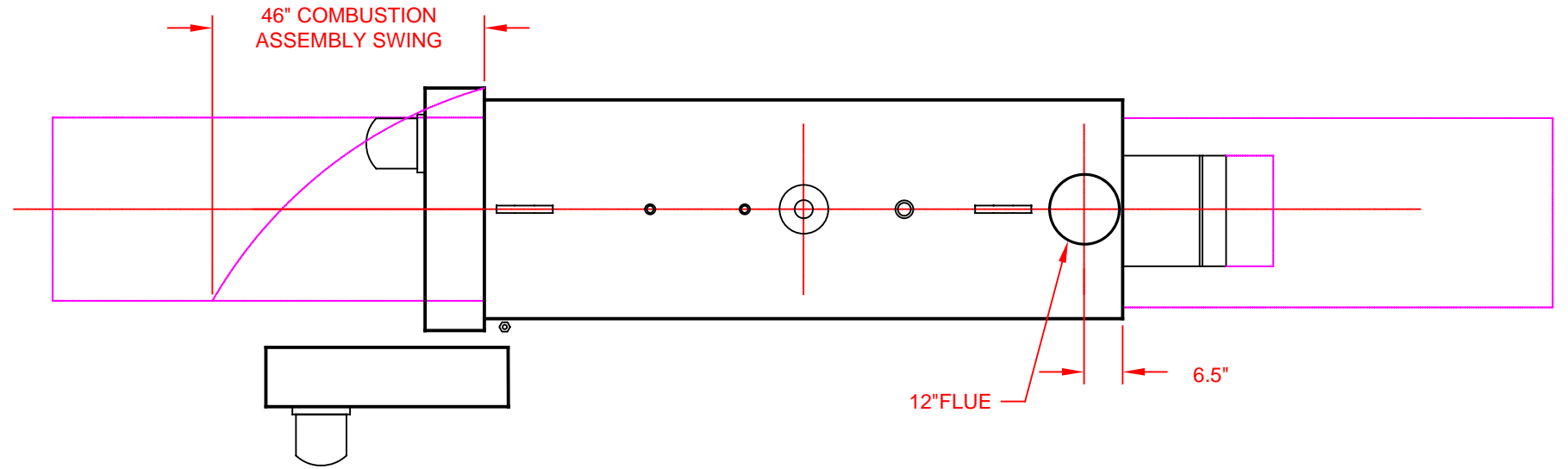
3

2

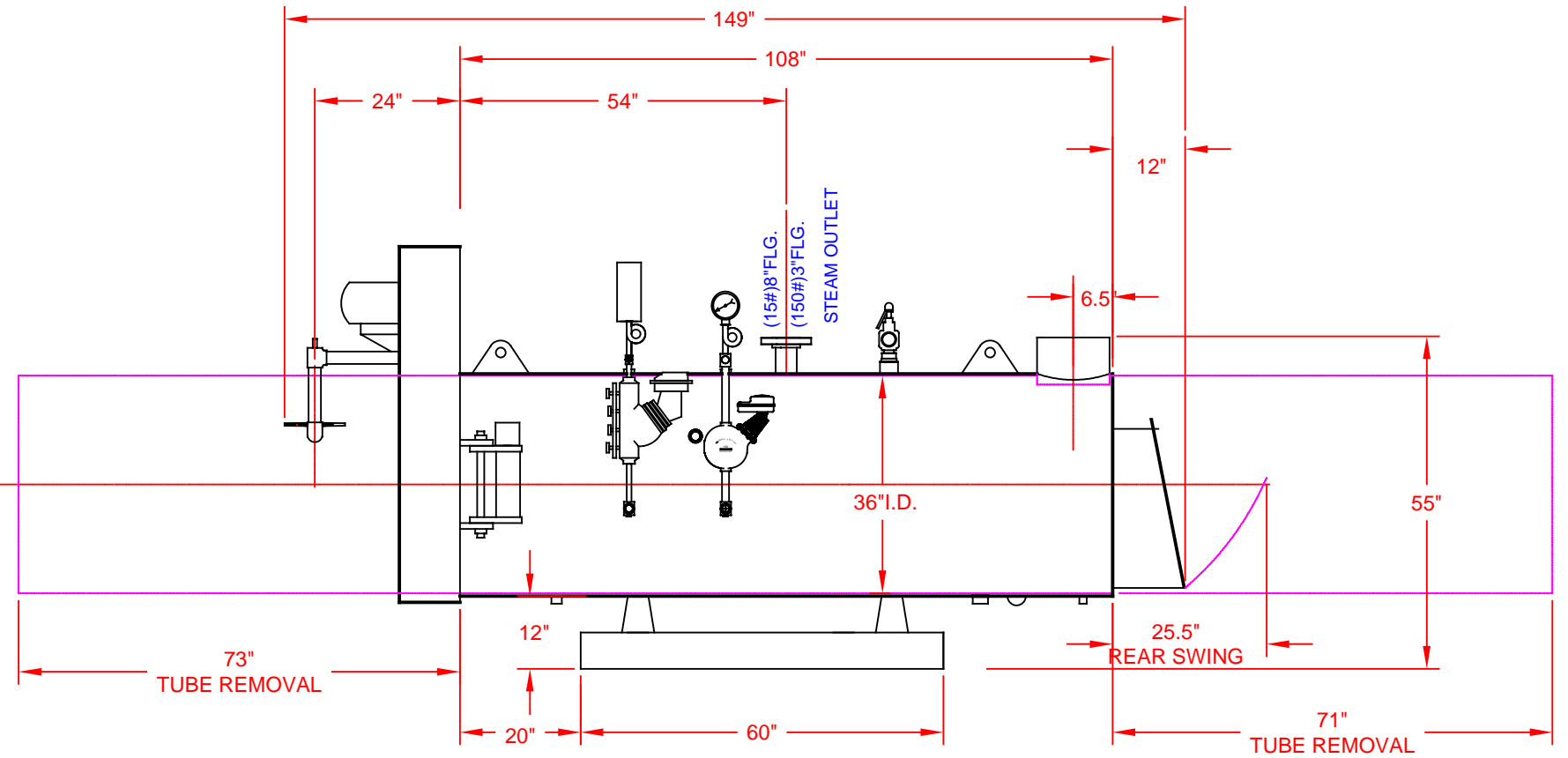
1

NOTES:

- Boiler template is for S, X, & H Series Boilers
- Boiler shown is standard built boiler. Modifications are available upon request.
- Overall length of boiler may vary based on gas train sizing.
- Number, size, and location of safety relief valves and openings may change based on design pressure of boiler.
- Some accessories may or may not be shown.



FRONT VIEW



**Sellers**  
MANUFACTURING CO.

918 West Walnut Street  
Danville, KY 40422  
Phone: (859) 236-3181  
FAX: (859) 236-3184

Proprietary Information

These drawings and/or specifications are the property of Sellers Mfg Co. They are issued in strict confidence and shall not be reproduced, copied, or used as the basis for manufacture or sale without permission of the owner.

REV.	DATE	DESCRIPTION OF CHANGE	DRAWN	APPROVED
3				
2				
1				
WEIGHT		lbs		
MATERIAL				
FINISH				

UNLESS OTHERWISE SPECIFIED:  
DIMENSIONS ARE IN INCHES  
TOLERANCES:  
XXX ± .015  
XXXX ± .005  
ANGLES ± 1 DEG  
DO NOT SCALE DRAWING

TEMPLATE LAYOUT 70HP  
STEAM BOILER

SCALE: 1:28  
DWG. SIZE: B  
SHEET: 1 OF 1

DRAWN BY: MMY  
APPR. BY:  
DRAWING NUMBER:

DATE: 02/19/2021  
REV: 0

4

3

2

1