

4

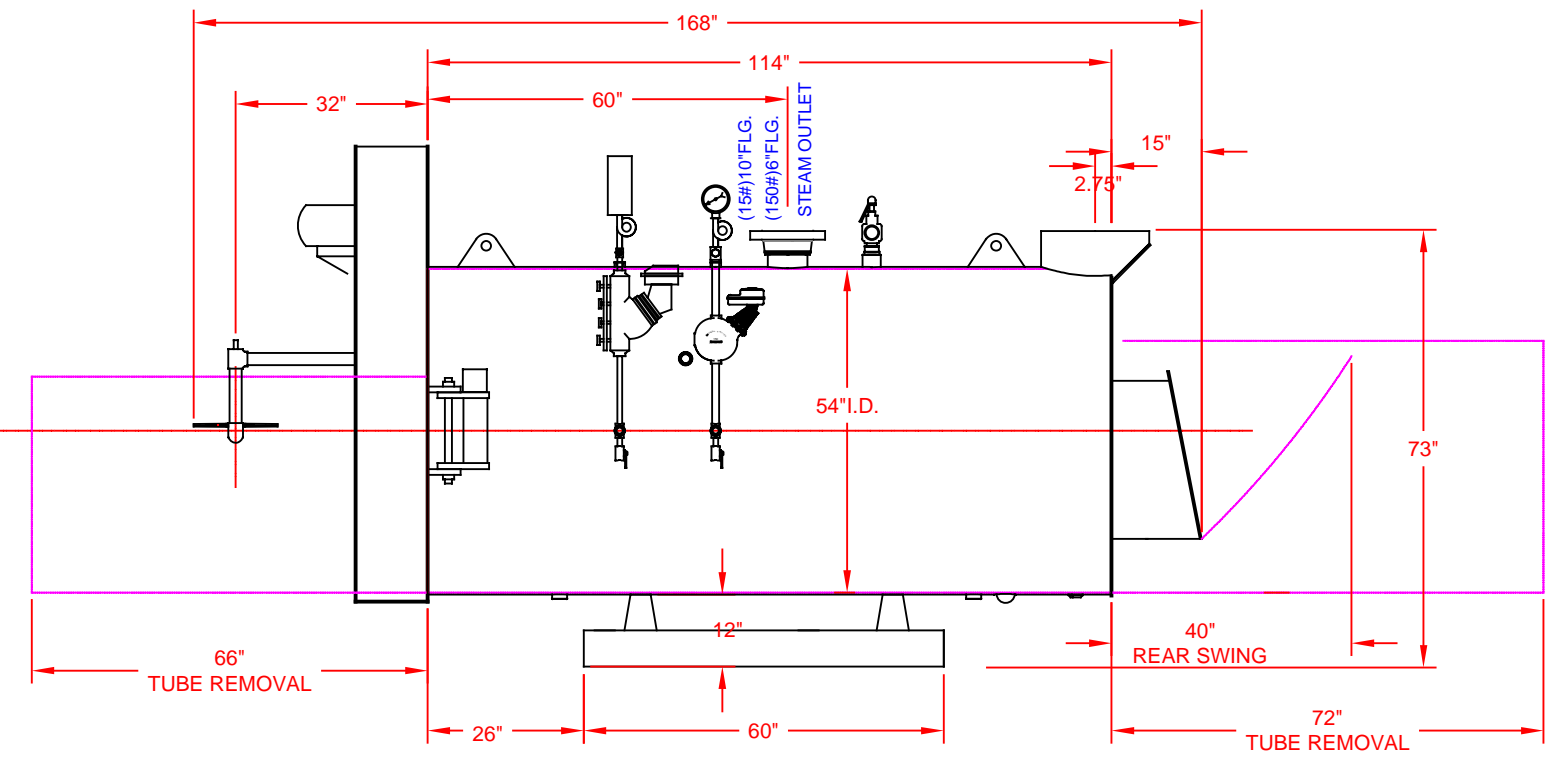
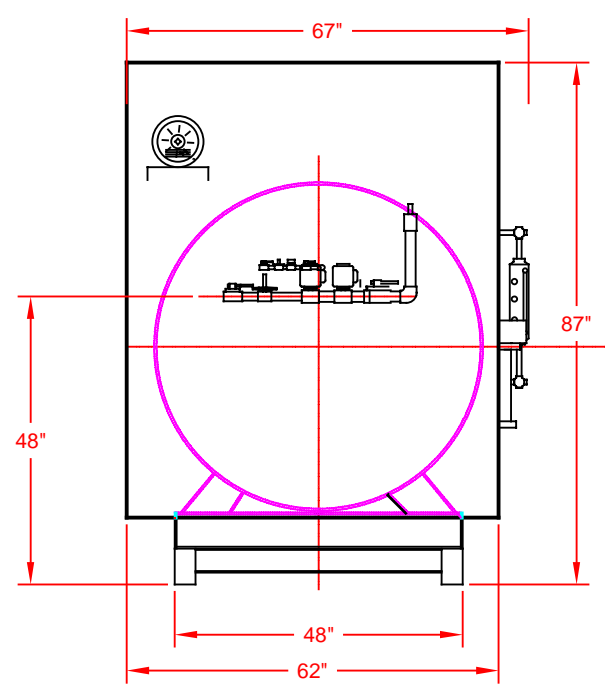
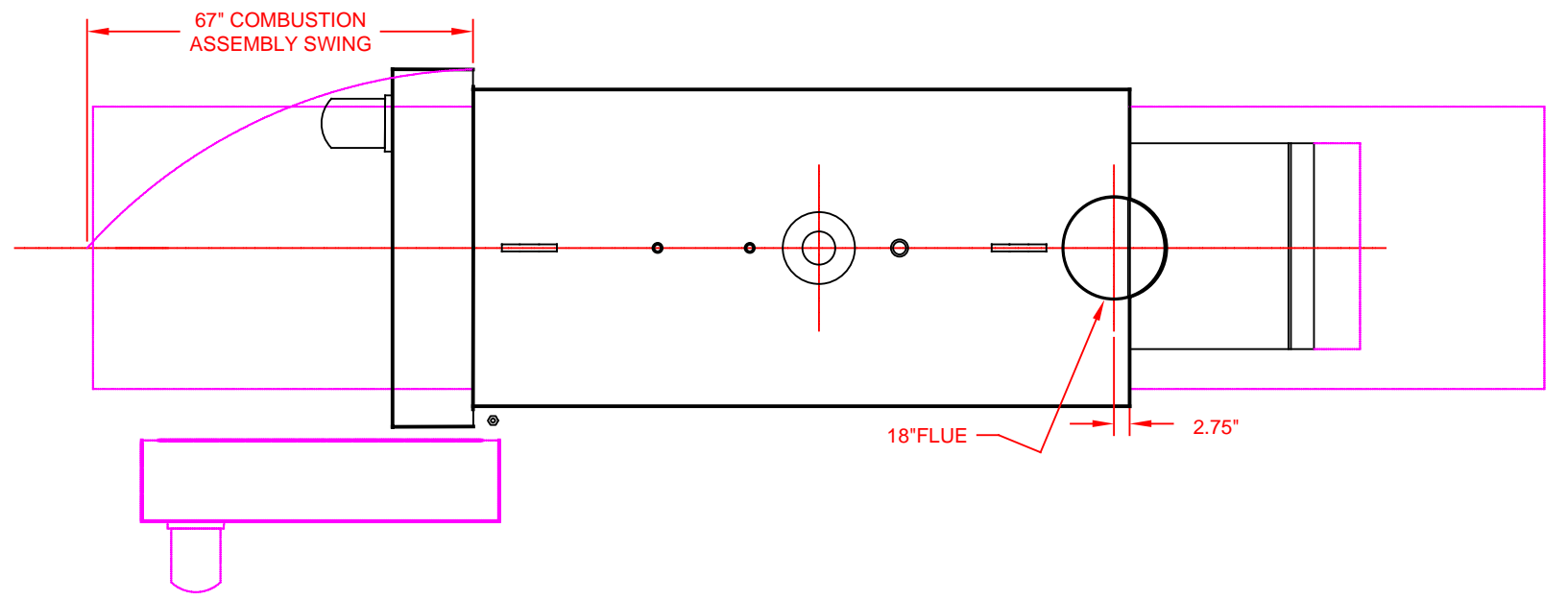
3

2

1

NOTES:

- Boiler template is for S, X, & H Series Boilers
- Boiler shown is standard built boiler. Modifications are available upon request.
- Overall length of boiler may vary based on gas train sizing.
- Number, size, and location of safety relief valves and openings may change based on design pressure of boiler.
- Some accessories may or may not be shown.



**Sellers**  
MANUFACTURING CO.

918 West Walnut Street  
Danville, KY 40422  
Phone: (859) 236-3181  
FAX: (859) 236-3184

Proprietary Information

These drawings and/or specifications are the property of Sellers Mfg Co. They are issued in strict confidence and shall not be reproduced, copied, or used as the basis for manufacture or sale without permission of the owner.

3					
2					
1					
REV.	DATE	DESCRIPTION OF CHANGE	DRAWN	APPROVED	
WEIGHT lbs		UNLESS OTHERWISE SPECIFIED: DIMENSIONS ARE IN INCHES TOLERANCES: XXX ± .015 XXXX ± .005 ANGLES ± 1 DEG DO NOT SCALE DRAWING			
MATERIAL					
FINISH					

TEMPLATE LAYOUT 200HP  
STEAM BOILER

SCALE: 1:32  
DWG. SIZE: B  
SHEET: 1 OF 1

DRAWN BY: MMY  
APPR. BY:  
DRAWING NUMBER:

DATE: 02/25/2021  
REV: 0

4

3

2

1